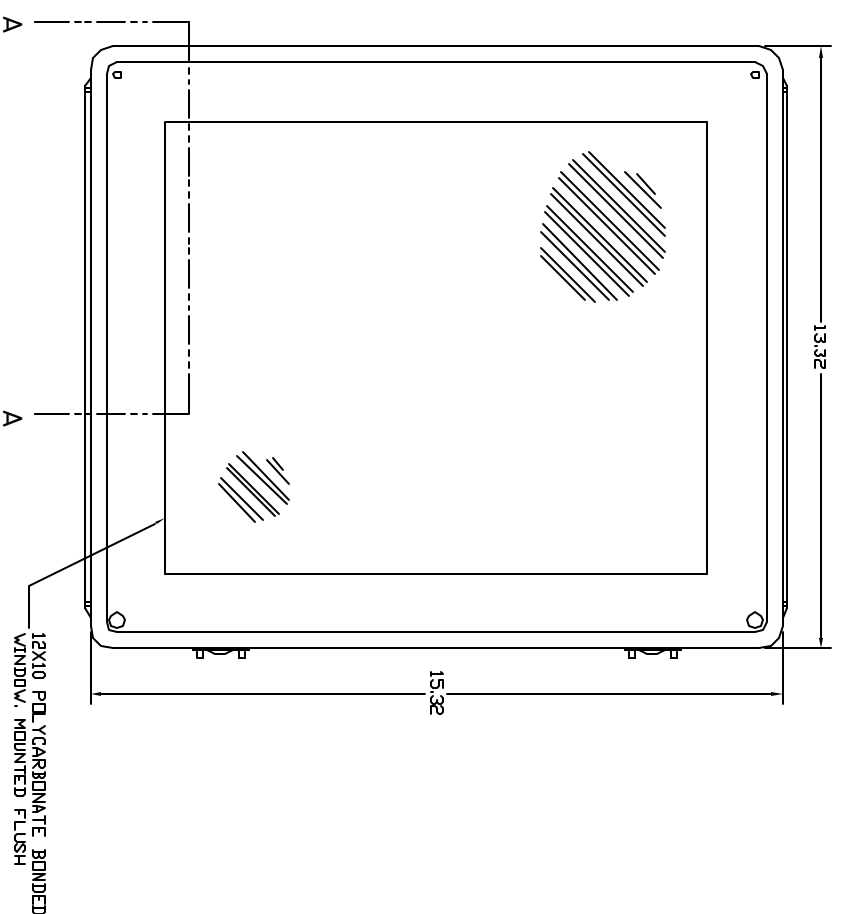
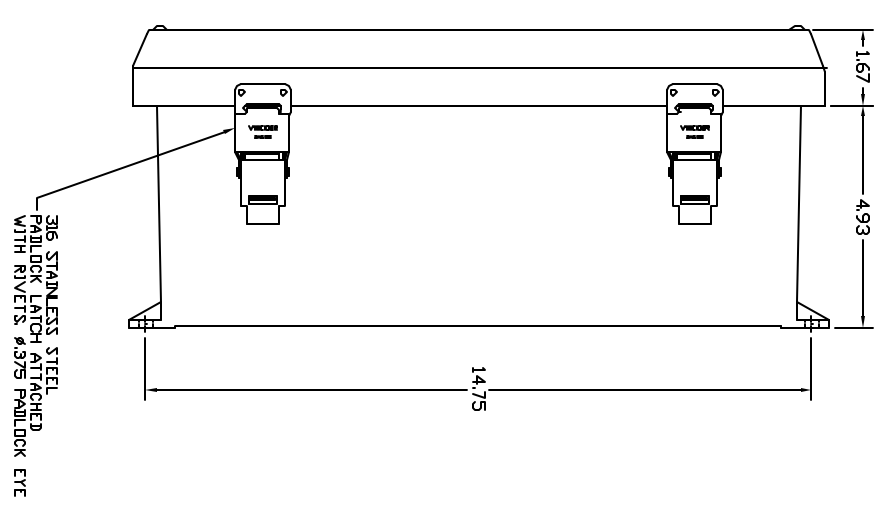


REVISIONS				
ZONE	REV	DESCRIPTION	DATE	APPROVED

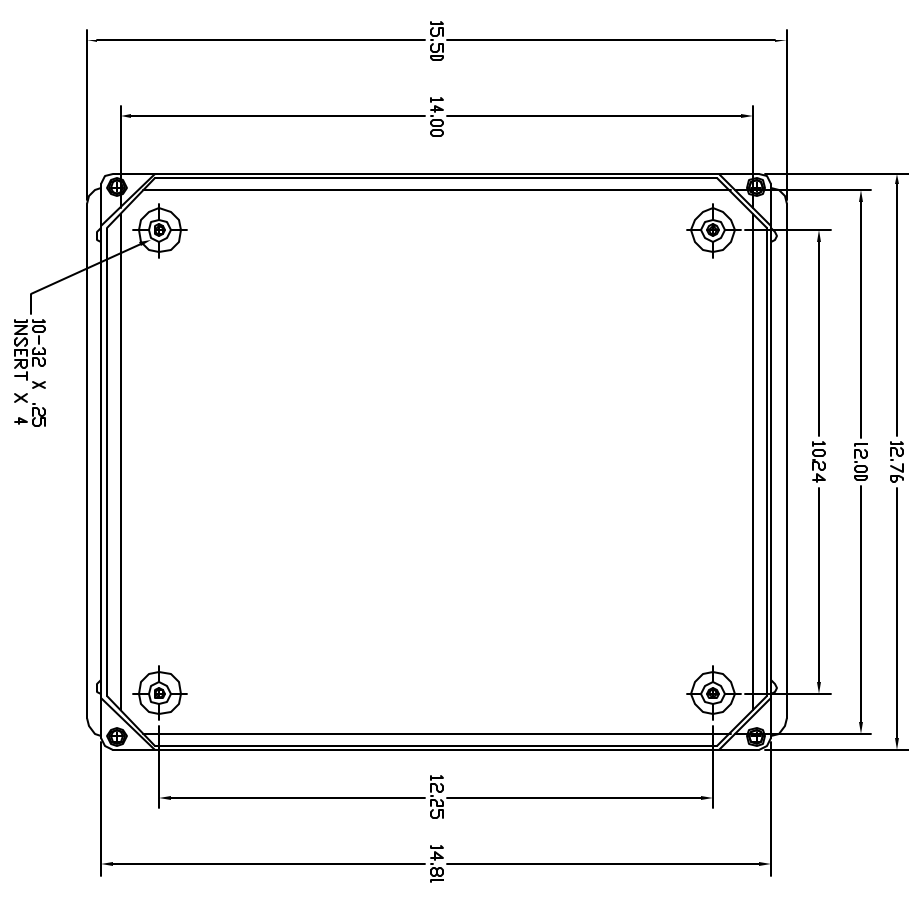
FRONT VIEW



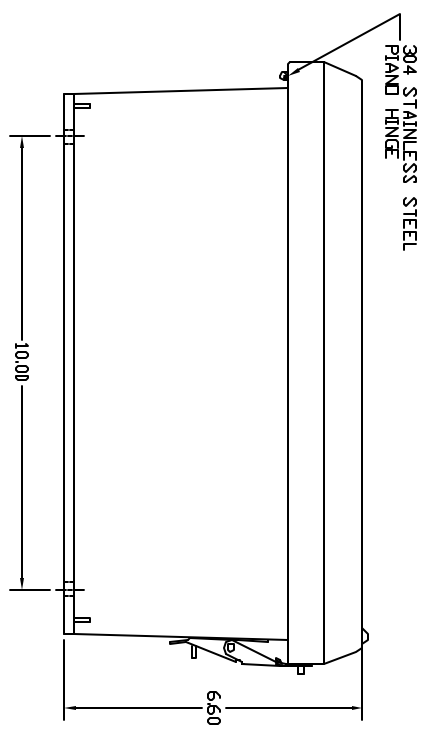
RIGHT SIDE VIEW



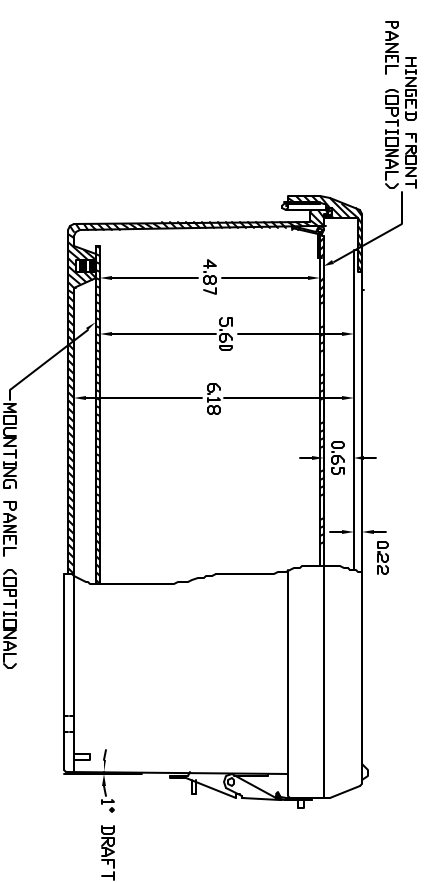
FRONT VIEW—COVER REMOVED



END VIEW



SECTION A-A



- NOTES:
- ENCLOSURE MATERIAL MADE OF GRAY (RAL 7036) HOT MOLDED FIBERGLASS REINFORCED POLYESTER.
  - U.L. LISTED PER STD. 508. (FILE# E54315)
  - CSA CERTIFIED PER STD. C22.2 NO. 94. (FILE# LR36508)
  - NEMA RATED TYPE 3, 3R, 3S, 4, 4X, 12 AND 13.
  - IEC 529 RATED IP 68.
  - RESISTANT TO TEMPERATURES UP TO 150 DEG C.
  - SELF EXTINGUISHING AND HALOGEN FREE.
  - ACCESSORIES INCLUDE: BACK PANELS, HINGEABLE FRONT PLATES, HINGED COVERS, PRINT POCKET, LATCHES, WINDOWS, AND VENTILATORS.
  - CABINETS ARE MAINTENANCE FREE AND CORROSION RESISTANT.

UNLESS OTHERWISE SPECIFIED:  
DIMENSIONS IN MILLIMETERS

WYCKLER ENCLOSURE SYSTEMS LTD.  
VI SERIES ENCLOSURE  
WYCKLER PART# VJ01412HWP12

DESIGN	CHECKED	DATE	SIZE	FRSM NO.	DWG NO.	REV
DESIGN	KENJI CHANAWA	2/19/01	D		VJ01412HWP12	0

SCALE: FULL SHEET 1 OF 1

FOR MARKING SEE DIMENSIONAL AND FINISHING NOTES. ALL DIMENSIONS ARE TO CENTER UNLESS OTHERWISE SPECIFIED. CONTACT WYCKLER ENCLOSURE SYSTEMS INC. FOR MORE INFORMATION.