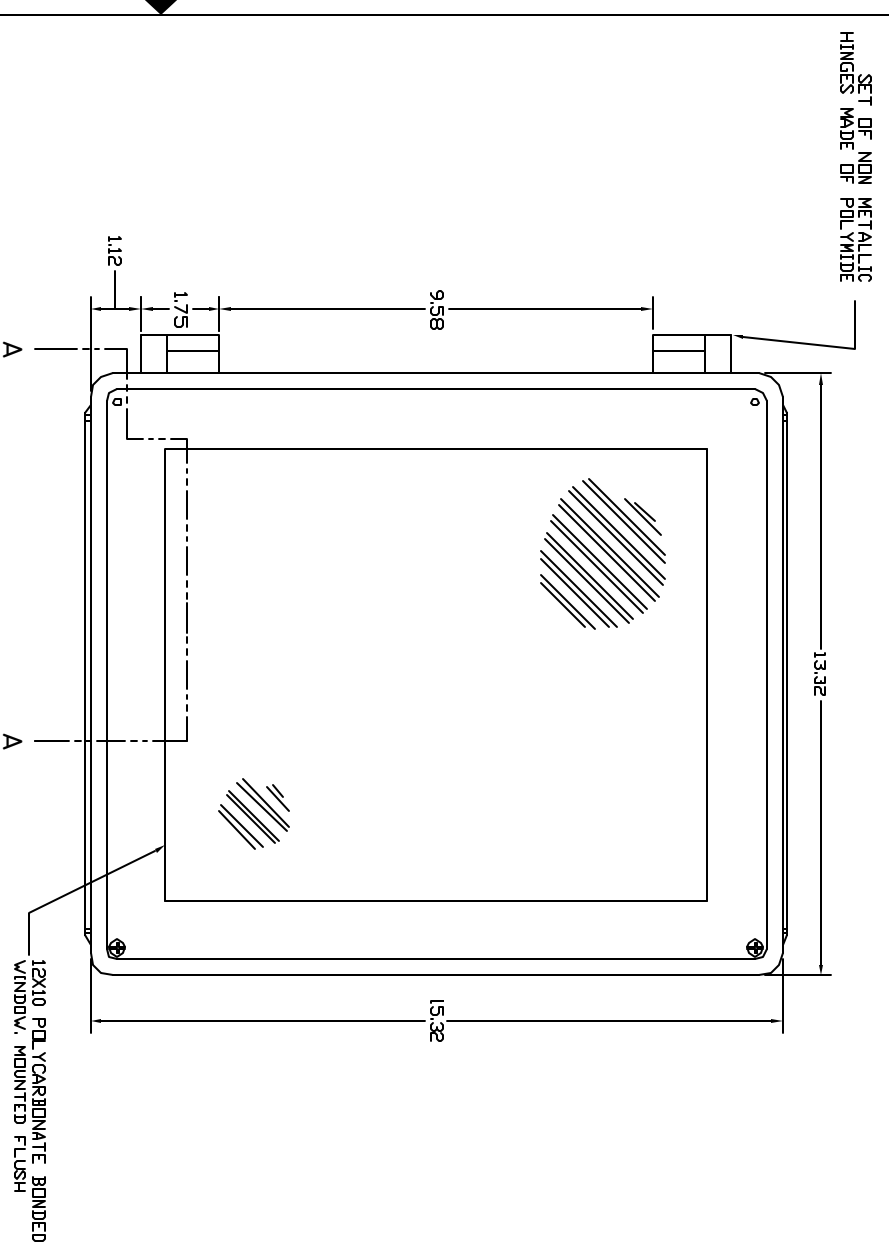
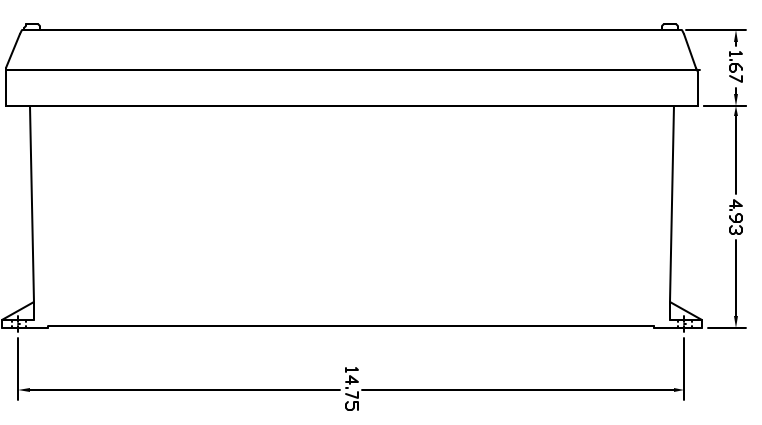


REVISIONS				
ZONE	REV	DESCRIPTION	DATE	APPROVED

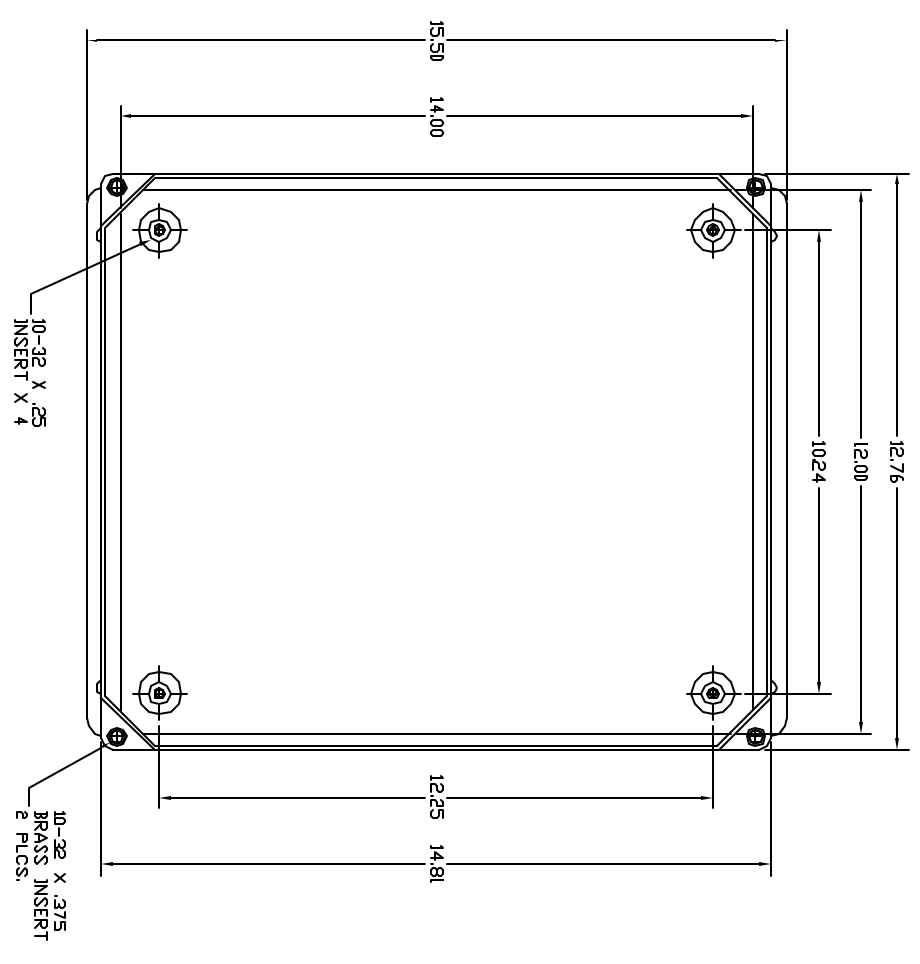
FRONT VIEW



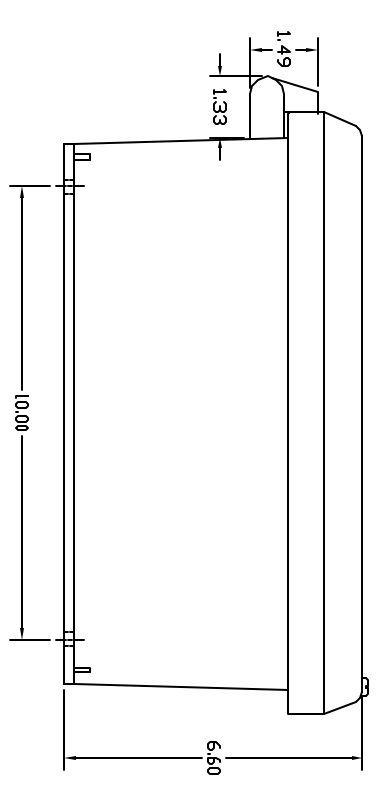
RIGHT SIDE VIEW



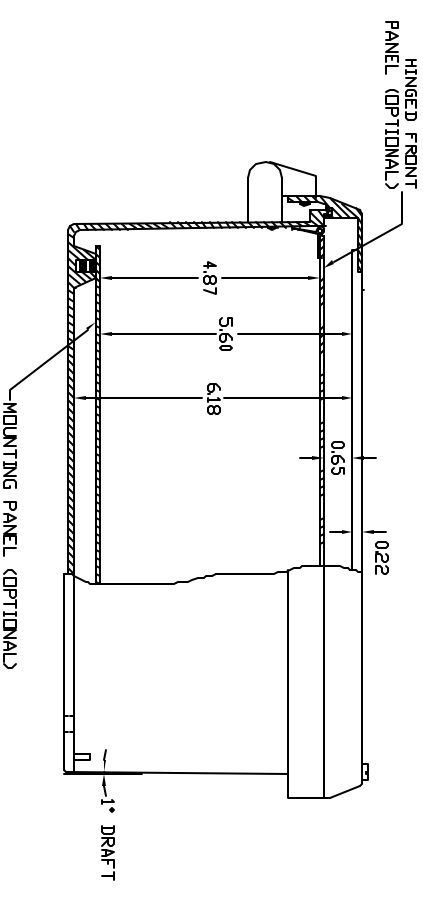
FRONT VIEW-COVER REMOVED



END VIEW



SECTION A-A



- NOTES:
- ENCLOSURE MATERIAL MADE OF GRAY (RAL 7036) HOT MOLDED FIBERGLASS REINFORCED POLYESTER.
  - UL LISTED PER STD. 508. (FILE# E54315)
  - CSA CERTIFIED PER STD. C22.2 NO. 94. (FILE# LR36508)
  - NEMA RATED TYPE 3, 3R, 3S, 4, 4X, 12 AND 13.
  - IEC 529 RATED IP 68.
  - RESISTANT TO TEMPERATURES UP TO 150 DEG C.
  - SELF EXTINGUISHING AND HALOGEN FREE.
  - ACCESSORIES INCLUDE: BACK PANELS, HINGEABLE FRONT PLATES, HINGED COVERS, PRINT POCKET, LATCHES, WINDOWS, AND VENTILATORS.
  - CABINETS ARE MAINTENANCE FREE AND CORROSION RESISTANT.

UNLESS OTHERWISE SPECIFIED: DIMENSIONS IN MILLIMETERS DECIMALS .001 .002 .0000 ± .006 XXX ± .020 XXX NOT SCALE DRAWING		DATE 2/14/01	
DRAWN KEITH CHAMMAN		DESIGN	
CHECKED		SCALE FULL	
VJ SERIES ENCLOSURE WYNCKLER PART# VJB1412NHV		SHEET 1 OF 1	
DWG NO. VJB1412NHV		REV 0	

FOR NAME & LOGO INFORMATION AND REVISIONS BY CONTACT US AT: WYNCKLER SYSTEMS INC.