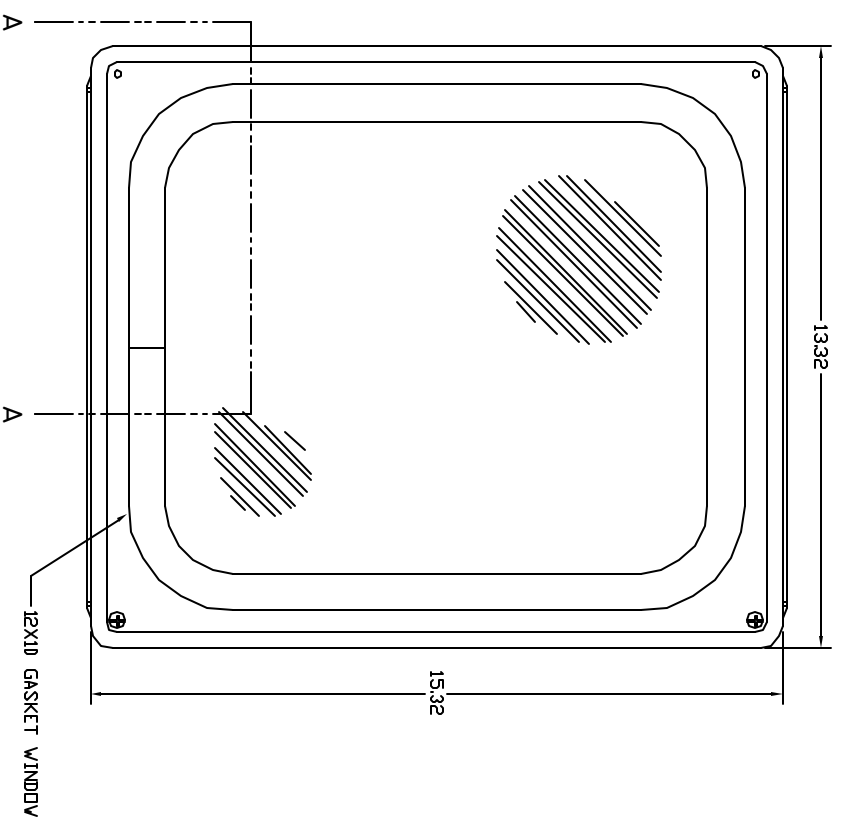
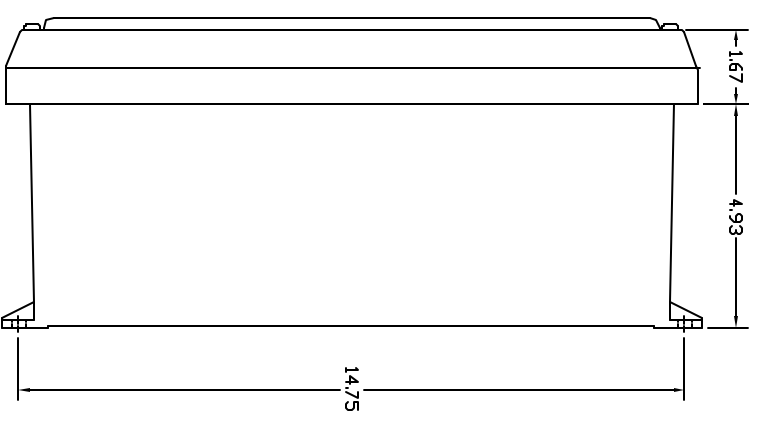


REVISIONS				
ZONE	REV	DESCRIPTION	DATE	APPROVED

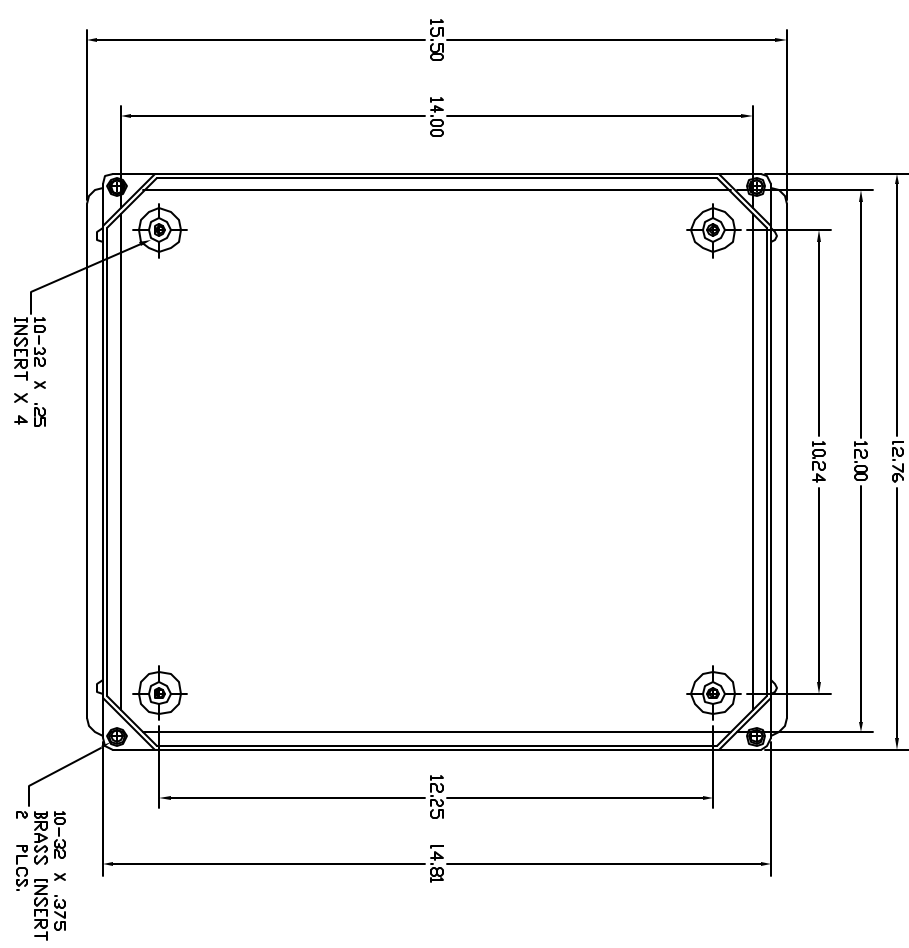
FRONT VIEW



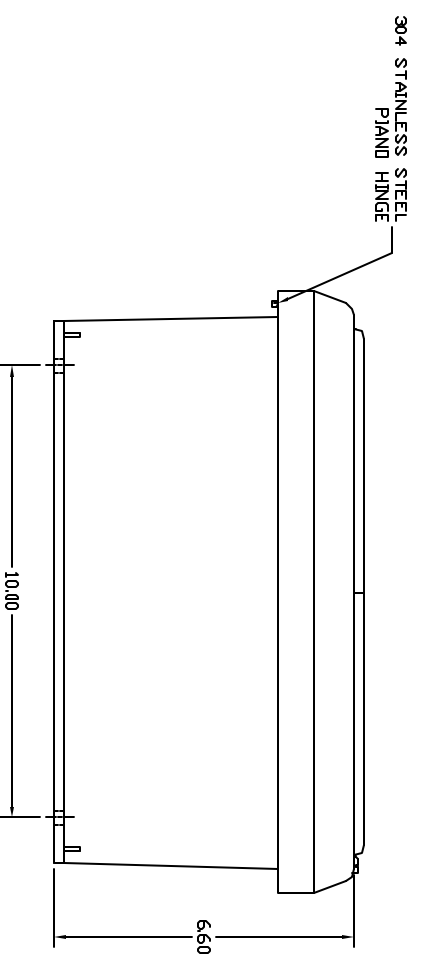
RIGHT SIDE VIEW



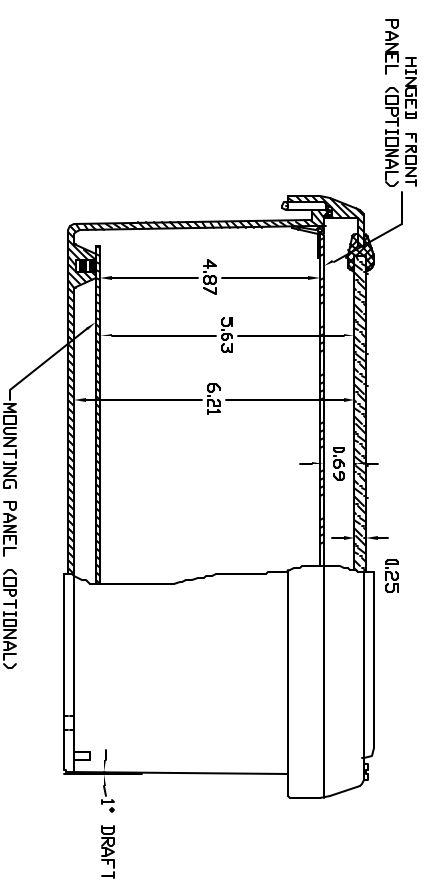
FRONT VIEW-COVER REMOVED



END VIEW



SECTION A-A



- NOTES:
1. ENCLOSURE MATERIAL MADE OF GRAY (RAL 7036) HOT MOLDED FIBERGLASS REINFORCED POLYESTER.
  2. U.L. LISTED PER STD. 508. (FILE# E54315)
  3. CSA CERTIFIED PER STD. C22.2 NO. 94. (FILE# LR36508)
  4. NEMA RATED TYPE 3, 3R, 3S, 4, 4X, 12 AND 13.
  5. IEC 529 RATED IP 68.
  6. RESISTANT TO TEMPERATURES UP TO 150 DEG C.
  7. SELF EXTINGUISHING AND HALOGEN FREE.
  8. ACCESSORIES INCLUDE: BACK PANELS, HINGEABLE FRONT PLATES, HINGED COVERS, PRINT POCKET, LATCHES, WINDOWS, AND VENTILATORS.
  9. CABINETS ARE MAINTENANCE FREE AND CORROSION RESISTANT.

UNLESS OTHERWISE SPECIFIED:  
DIMENSIONS IN MILLIMETERS  
DECIMALS      XXX ±.020    XXXX ±.008  
XXX ±.020    XXXX ±.008  
DO NOT SCALE DRAWING

DESIGNER: DIBANN  
CHECKED: KEITH CHAPMAN  
DATE: 2/19/01

SCALE: FULL

SHEET: 1 OF 1

REV: 0

WYCKLER ENCLOSURE SYSTEMS LTD.  
VI SERIES ENCLOSURE  
WYCKLER PART# VJG1412HW

DESIGN: VJG1412HW