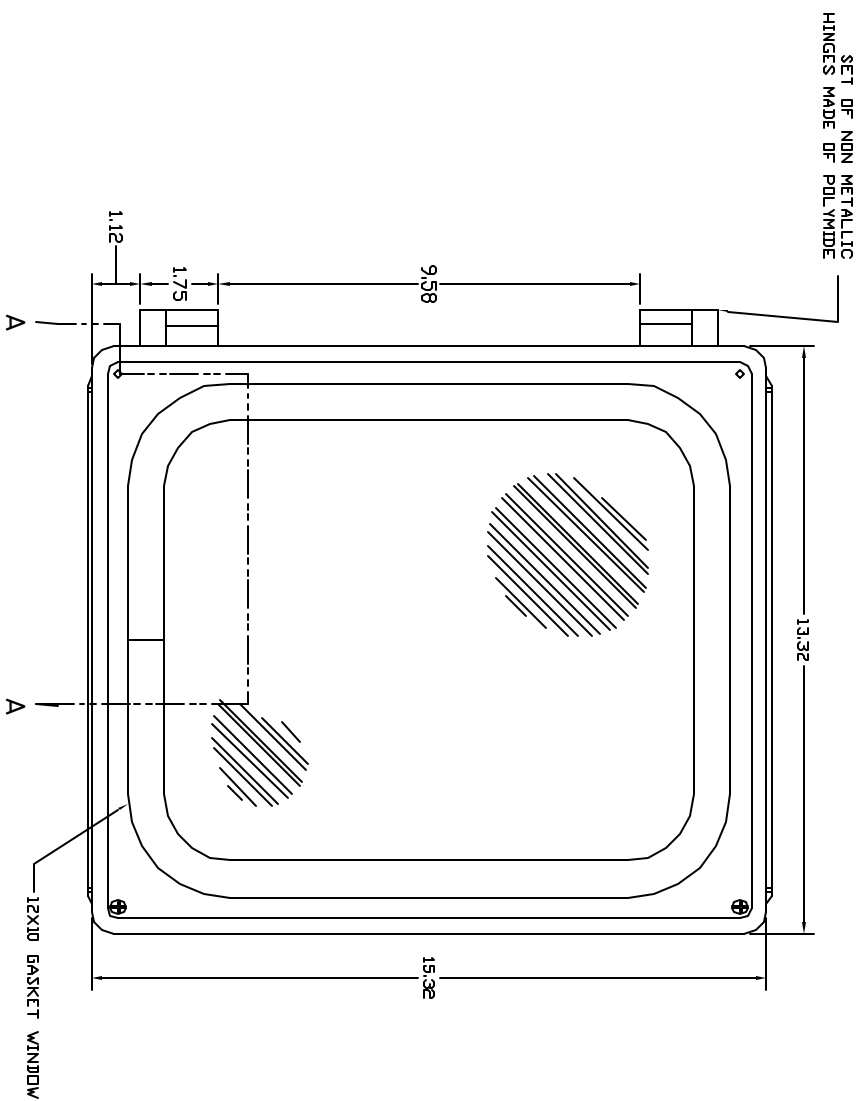
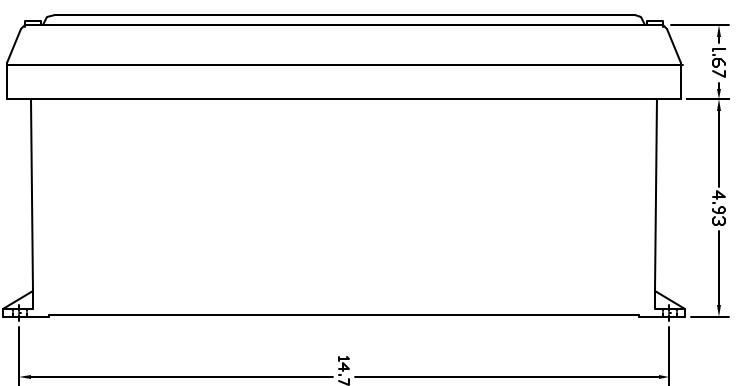


REVISIONS				
ZONE	REV	DESCRIPTION	DATE	APPROVED

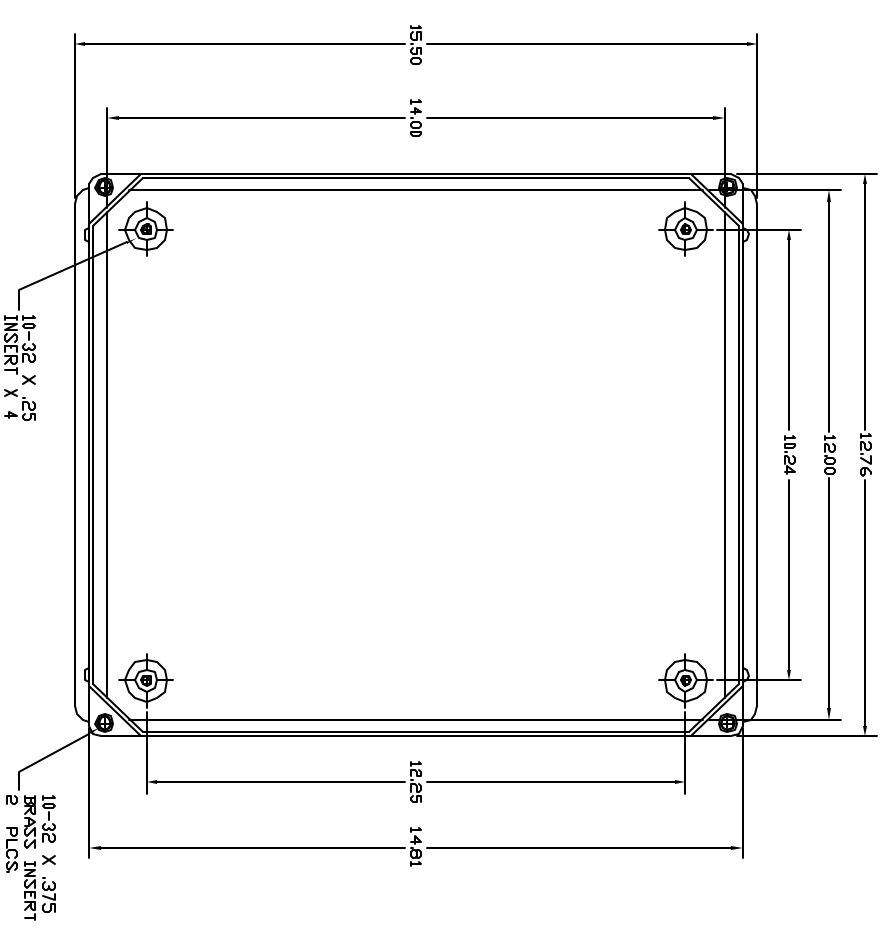
FRONT VIEW



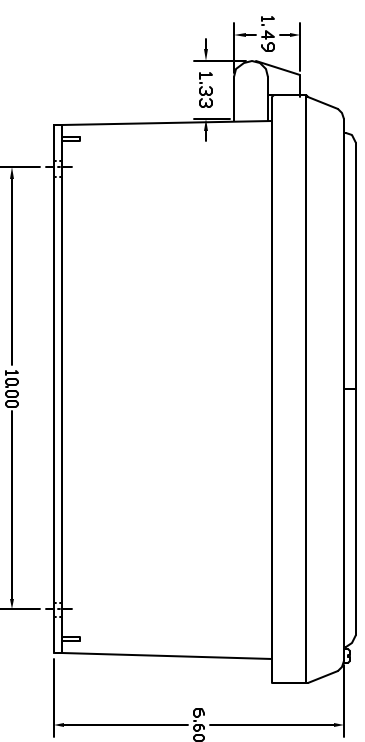
RIGHT SIDE VIEW



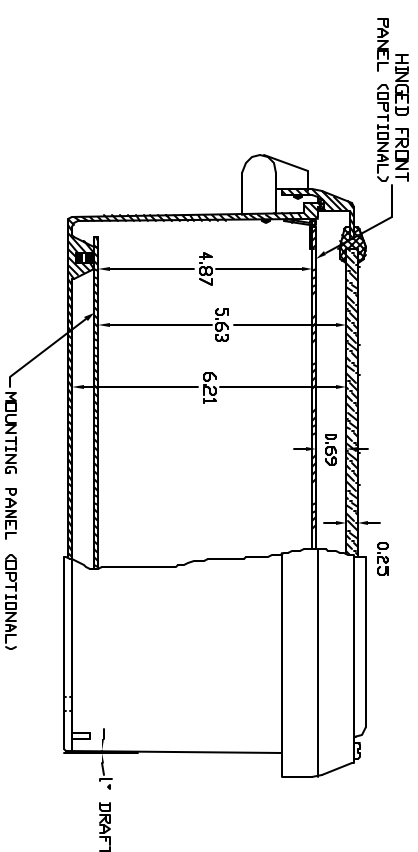
FRONT VIEW—COVER REMOVED



END VIEW



SECTION A-A



- NOTES:
1. ENCLOSURE MATERIAL MADE OF GRAY (RAL 7036) HOT MOLDED FIBERGLASS REINFORCED POLYESTER.
 2. U.L. LISTED PER STD. 508. (FILE# ES4-315)
 3. CSA CERTIFIED PER STD. C22.2 NO. 94. (FILE# LR36508)
 4. NEMA RATED TYPE 3, 3R, 3S, 4, 4X, 12 AND 13.
 5. IEC 529 RATED IP 68.
 6. RESISTANT TO TEMPERATURES UP TO 150 DEG C.
 7. SELF EXTINGUISHING AND HALOGEN FREE.
 8. ACCESSORIES INCLUDE: BACK PANELS, HINGEABLE FRONT PLATES, HINGED COVERS, PRINT POCKET, LATCHES, WINDOWS, AND VENTILATORS.
 9. CABINETS ARE MAINTENANCE FREE AND CORROSION RESISTANT.

UNLESS OTHERWISE SPECIFIED DIMENSIONS ARE IN INCHES		TOLERANCES	
.0005 ± .0005		.0005 ± .0005	
.001 ± .001		.001 ± .001	
.010 ± .010		.010 ± .010	
DO NOT SCALE DRAWINGS			
THE DRAWING IS THE PROPERTY OF WYCKLER ENCLOSURE SYSTEMS LTD. IT IS TO BE USED ONLY FOR THE PROJECT AND SHALL NOT BE REPRODUCED OR TRANSMITTED IN ANY FORM OR BY ANY MEANS WITHOUT WRITTEN PERMISSION FROM WYCKLER ENCLOSURE SYSTEMS INC.			
DESIGN	DATE	SCALE	SHEET
DESIGN	2/11/01	D	1 OF 1
DRAWN: KENN CHAPMAN		WYCKLER ENCLOSURE SYSTEMS LTD.	
CHECKED: KENN CHAPMAN		VJ SERIES ENCLOSURE	
DATE: 2/11/01		WYCKLER PART# W01412NHV	
SCALE: FULL		DWG NO: VJ01412NHV	
SHEET: 1 OF 1		REV: 0	