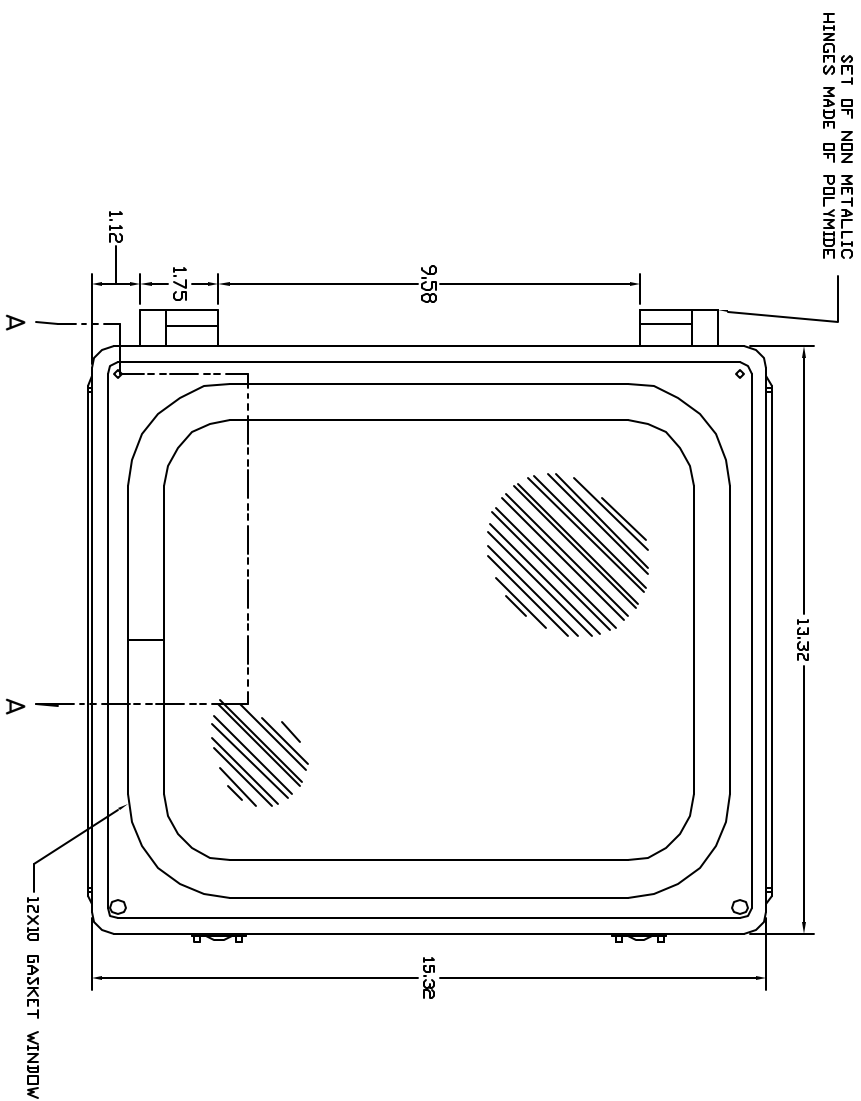
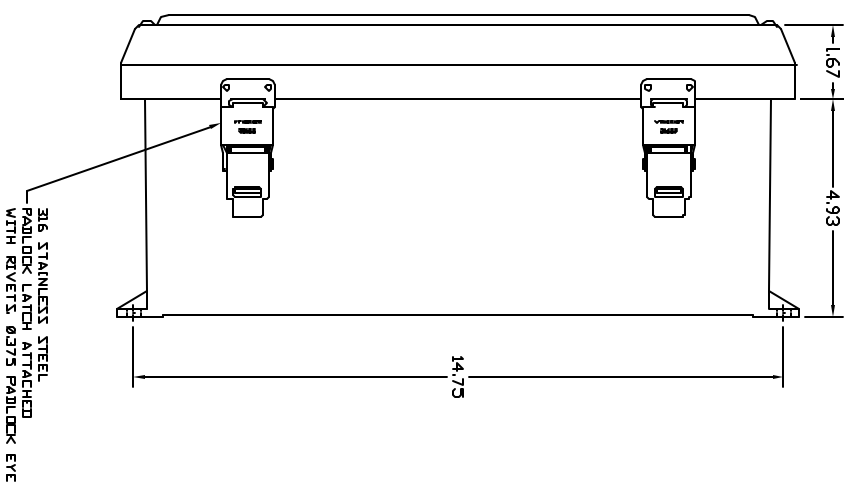


REVISIONS				
ZONE	REV	DESCRIPTION	DATE	APPROVED

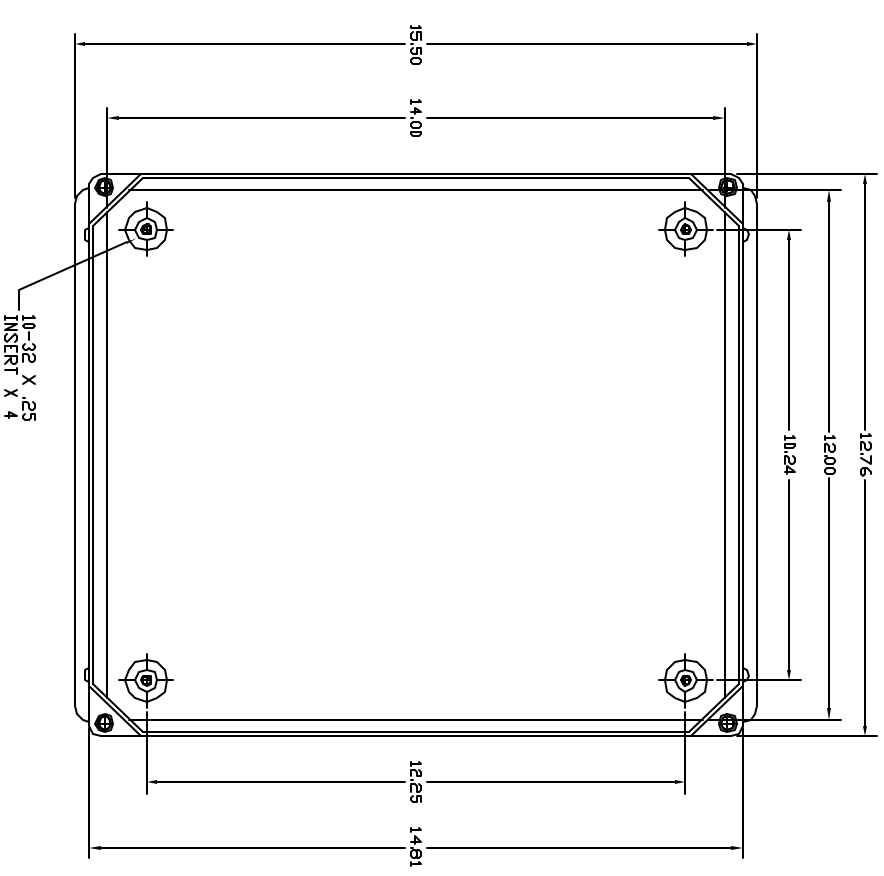
FRONT VIEW



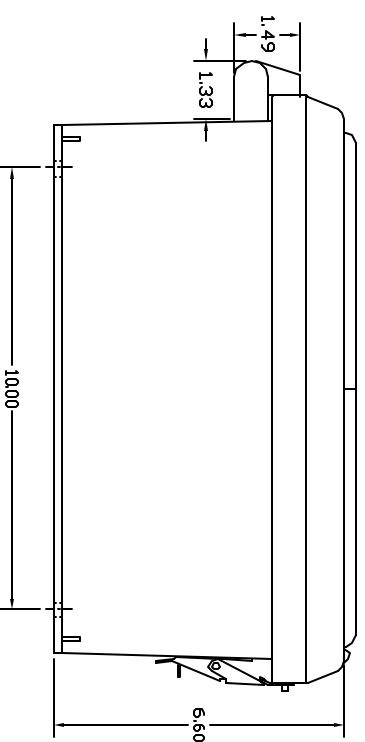
RIGHT SIDE VIEW



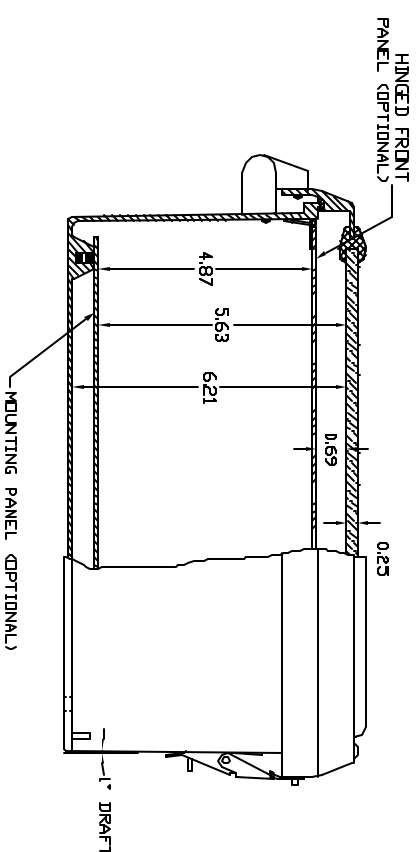
FRONT VIEW—COVER REMOVED



END VIEW



SECTION A-A



- NOTES:
1. ENCLOSURE MATERIAL MADE OF GRAY (RAL 7036) HOT MOLDED FIBERGLASS REINFORCED POLYESTER.
  2. U.L. LISTED PER STD. 508. (FILE# ES4-315)
  3. CSA CERTIFIED PER STD. C22.2 NO. 94. (FILE# LR36508)
  4. NEMA RATED TYPE 3, 3R, 3S, 4, 4X, 12 AND 13.
  5. IEC 529 RATED IP 68.
  6. RESISTANT TO TEMPERATURES UP TO 150 DEG C.
  7. SELF EXTINGUISHING AND HALOGEN FREE.
  8. ACCESSORIES INCLUDE: BACK PANELS, HINGEABLE FRONT PLATES, HINGED COVERS, PRINT POCKET, LATCHES, WINDOWS, AND VENTILATORS.
  9. CABINETS ARE MAINTENANCE FREE AND CORROSION RESISTANT.

UNLESS OTHERWISE SPECIFIED DIMENSIONS ARE IN INCHES DECIMALS .005 .0005 ± .005 FRACTIONS 1/16 ± .010 DO NOT SCALE DRAWINGS		DRAWN KEITH CHAPMAN		DATE 2/11/01	
THE DESIGN IS THE PROPERTY OF WYCKLER ENCLOSURE SYSTEMS LTD. NO PARTS TO BE REPRODUCED OR COPIED IN ANY MANNER WITHOUT WRITTEN PERMISSION FROM WYCKLER ENCLOSURE SYSTEMS LTD.		WYCKLER ENCLOSURE SYSTEMS LTD. VJ SERIES ENCLOSURE		SIZE FULL	
CHECKED KEITH CHAPMAN		WYCKLER PART# WJG1412NHVPL2		DWG NO. VJG1412NHVPL2	
DESIGN		SCALE FULL		SHEET 1 OF 1	