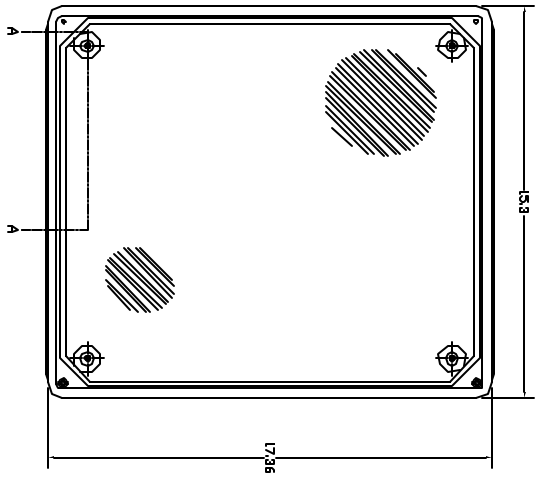
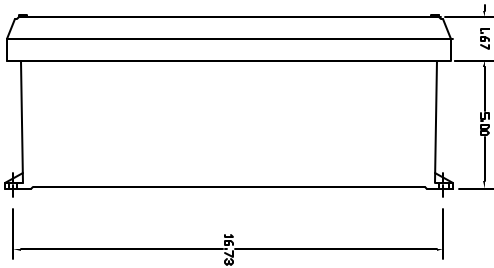


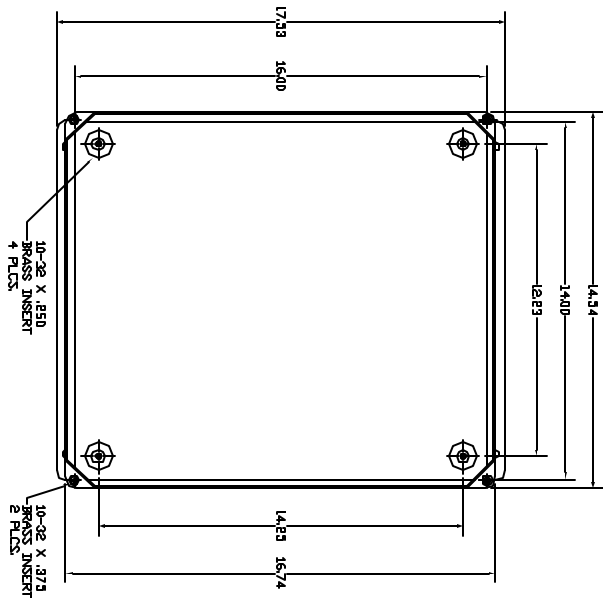
FRONT VIEW



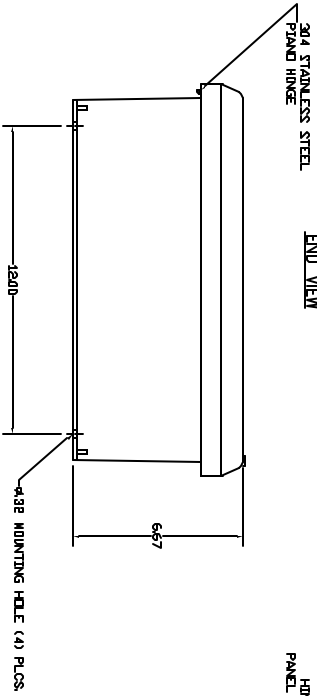
RIGHT SIDE VIEW



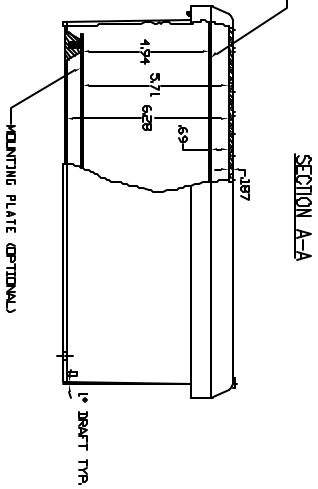
FRONT VIEW COVER REMOVED



END VIEW



HINGED FRONT PANEL (OPTIONAL)



- NOTES:
- ENCLOSURE MATERIAL MADE OF GRAY GALV. 7036D
 - HOT MOLDED FIBERGLASS REINFORCED POLYESTER
 - ULL LISTED PER STD. 508 (FLEH E44313)
 - CSM. CERTIFIED PER STD. 6222 VOL. 94 (FLEH LRG55089)
 - TEMP. RATED UP TO 50, 55, 60, 65, 70, 75, 80, 85, 90, 95, 100, 105, 110, 115, 120, 125, 130, 135, 140, 145, 150, 155, 160, 165, 170, 175, 180, 185, 190, 195, 200, 205, 210, 215, 220, 225, 230, 235, 240, 245, 250, 255, 260, 265, 270, 275, 280, 285, 290, 295, 300, 305, 310, 315, 320, 325, 330, 335, 340, 345, 350, 355, 360, 365, 370, 375, 380, 385, 390, 395, 400, 405, 410, 415, 420, 425, 430, 435, 440, 445, 450, 455, 460, 465, 470, 475, 480, 485, 490, 495, 500, 505, 510, 515, 520, 525, 530, 535, 540, 545, 550, 555, 560, 565, 570, 575, 580, 585, 590, 595, 600, 605, 610, 615, 620, 625, 630, 635, 640, 645, 650, 655, 660, 665, 670, 675, 680, 685, 690, 695, 700, 705, 710, 715, 720, 725, 730, 735, 740, 745, 750, 755, 760, 765, 770, 775, 780, 785, 790, 795, 800, 805, 810, 815, 820, 825, 830, 835, 840, 845, 850, 855, 860, 865, 870, 875, 880, 885, 890, 895, 900, 905, 910, 915, 920, 925, 930, 935, 940, 945, 950, 955, 960, 965, 970, 975, 980, 985, 990, 995, 1000.
 - RESISTANT TO TEMPERATURES UP TO 150 DEG C.
 - SELF EXTINGUISHING AND HALOGEN FREE
 - ACCESSORIES INCLUDE: FRONT PANELS, INDICABLE FRONT PLATES, HINGED COVERS, FRONT PICKER.
 - LATCHES, WINDOWS, AND VENTILATORS
 - CABINETS ARE MAINTENANCE FREE AND CORROSION RESISTANT.
 - BAD PANEL SIZE 14.75" X 12.88"

<p>WINKLER FACTORY STORES INC.</p>		<p>VI SERIES ENCLOSURE WINKLER PART# CV1814HW</p>	
<p>DATE: 1/27/91</p>	<p>REV: 1</p>	<p>DESIGNER: CV084HW</p>	<p>DATE: 1/27/91</p>
<p>WINKLER FACTORY STORES INC.</p>	<p>1000 W. 10th Street St. Paul, MN 55102</p>	<p>1000 W. 10th Street St. Paul, MN 55102</p>	<p>1000 W. 10th Street St. Paul, MN 55102</p>