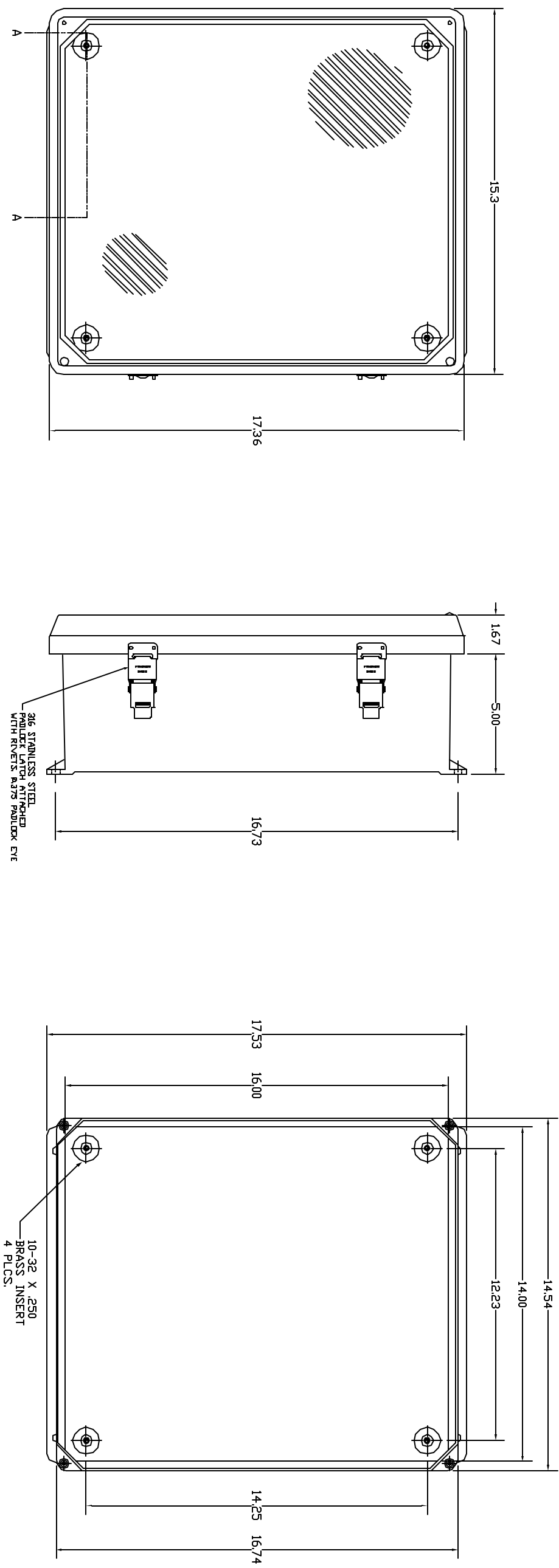


| REVISIONS | | | DATE | APPROVED |
|-----------|-----|-------------|------|----------|
| ZONE | REV | DESCRIPTION | | |
| | | | | |

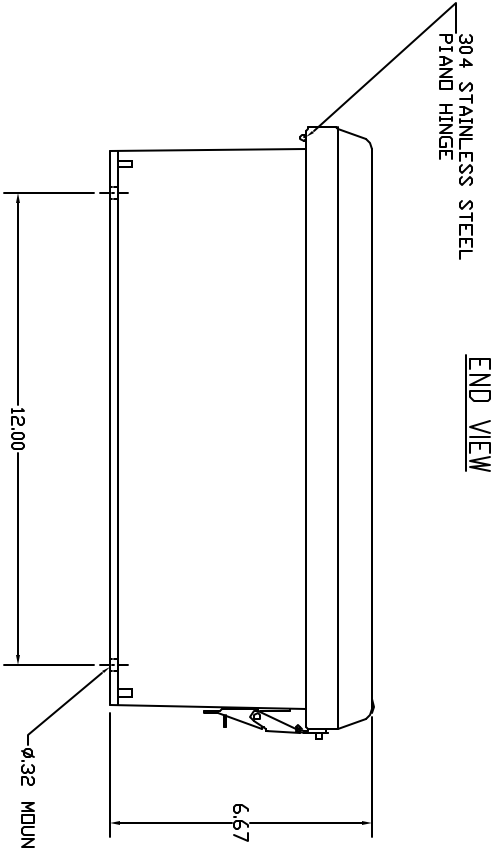
FRONT VIEW COVER REMOVED



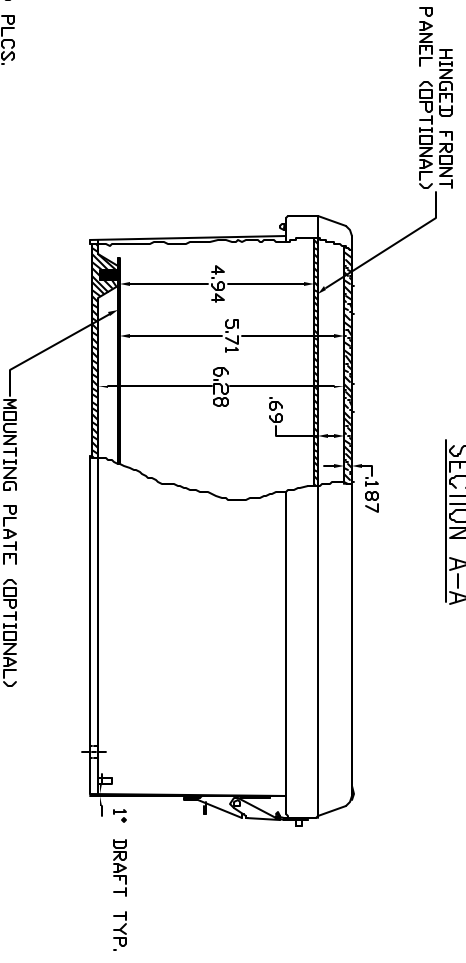
FRONT VIEW

RIGHT SIDE VIEW

SECTION A-A



END VIEW



- NOTES:
1. ENCLOSURE MATERIAL MADE OF GRAY (RAL 7036) HOT MOLDED FIBERGLASS REINFORCED POLYESTER.
 2. U.L. LISTED PER STD. 508. (FILE# E54315)
 3. CSA CERTIFIED PER STD. C22.2 NO. 94. (FILE# LR36508)
 4. NEMA RATED TYPE 3, 3R, 3S, 4, 4X, 12 AND 13.
 5. IEC 529 RATED IP 68.
 6. RESISTANT TO TEMPERATURES UP TO 150 DEG C.
 7. SELF EXTINGUISHING AND HALOGEN FREE.
 8. ACCESSORIES INCLUDE: BACK PANELS, HINGEABLE FRONT PLATES, HINGED COVERS, PRINT POCKET, LATCHES, WINDOWS, AND VENTILATORS.
 9. CABINETS ARE MAINTENANCE FREE AND CORROSION RESISTANT.
 10. BACKPANEL SIZE 14.75" X 12.88"

| | | | |
|--|-----------------------------|--|--------------|
| THE DRAWING IS THE PROPERTY OF WYNCKLER ENCLOSEURE SYSTEMS INC. IT IS TO BE USED FOR THE PROJECT AND SHALL NOT BE REPRODUCED OR TRANSMITTED IN ANY FORM OR BY ANY MEANS, ELECTRONIC OR MECHANICAL, INCLUDING PHOTOCOPYING, RECORDING, OR BY ANY INFORMATION STORAGE AND RETRIEVAL SYSTEMS. | | WYNCKLER ENCLOSEURE SYSTEMS INC. 1000 W. 10TH AVENUE SUITE 200 DENVER, CO 80202 PHONE: 303.733.1111 FAX: 303.733.1112 WWW.WYNCKLER.COM | |
| DESIGNED BY KEVIN CHAMMAN | CHECKED BY KEVIN CHAMMAN | DATE 2/24/01 | SCALE 1:1 |
| WJ SERIES ENCLOSURE WYNCKLER PART# CVJ1614HMP12 | | DWG NO. CVJ1614HMP12 | REV 0 |