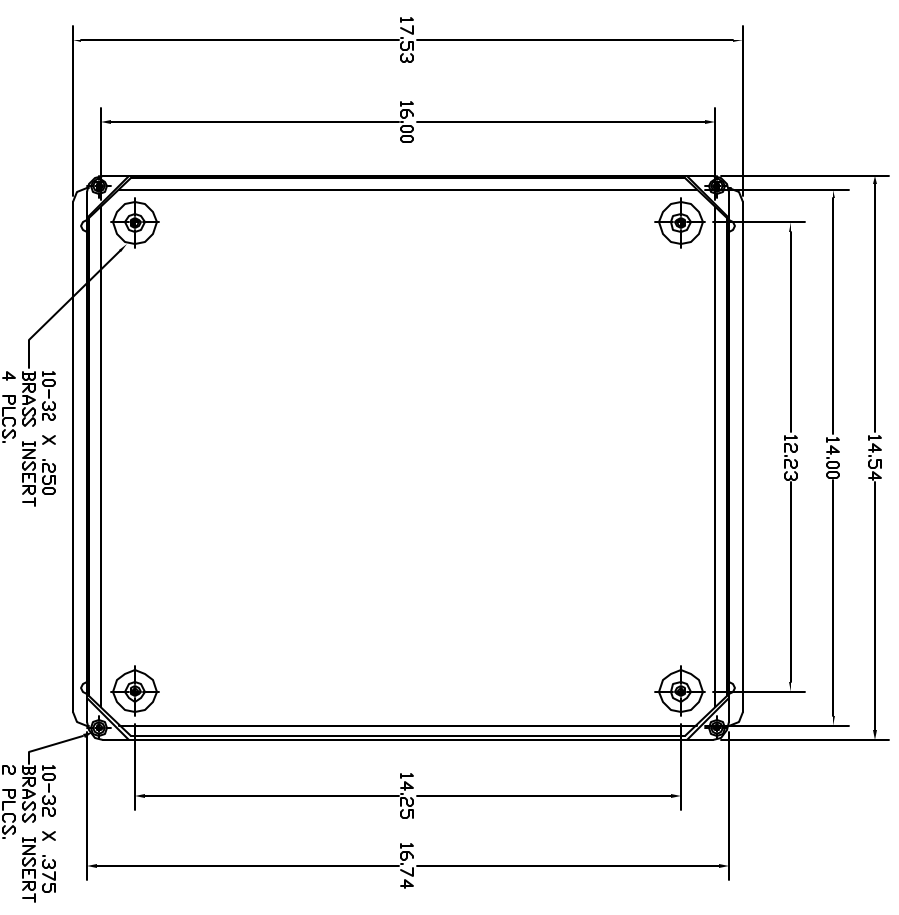
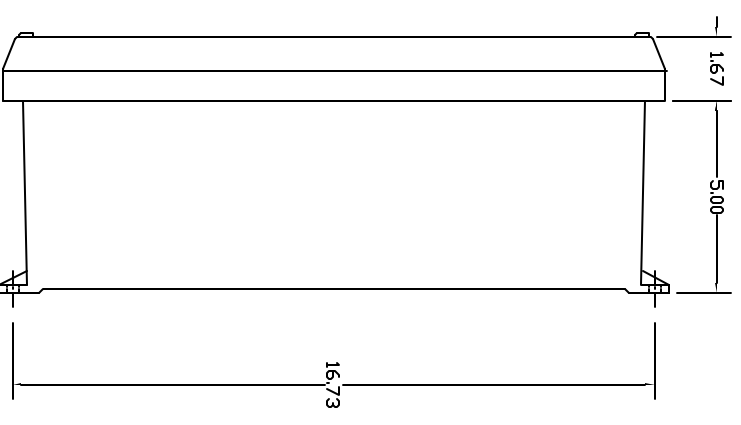


| REVISIONS | | | | |
|-----------|-----|-------------|------|----------|
| ZONE | REV | DESCRIPTION | DATE | APPROVED |
| | | | | |

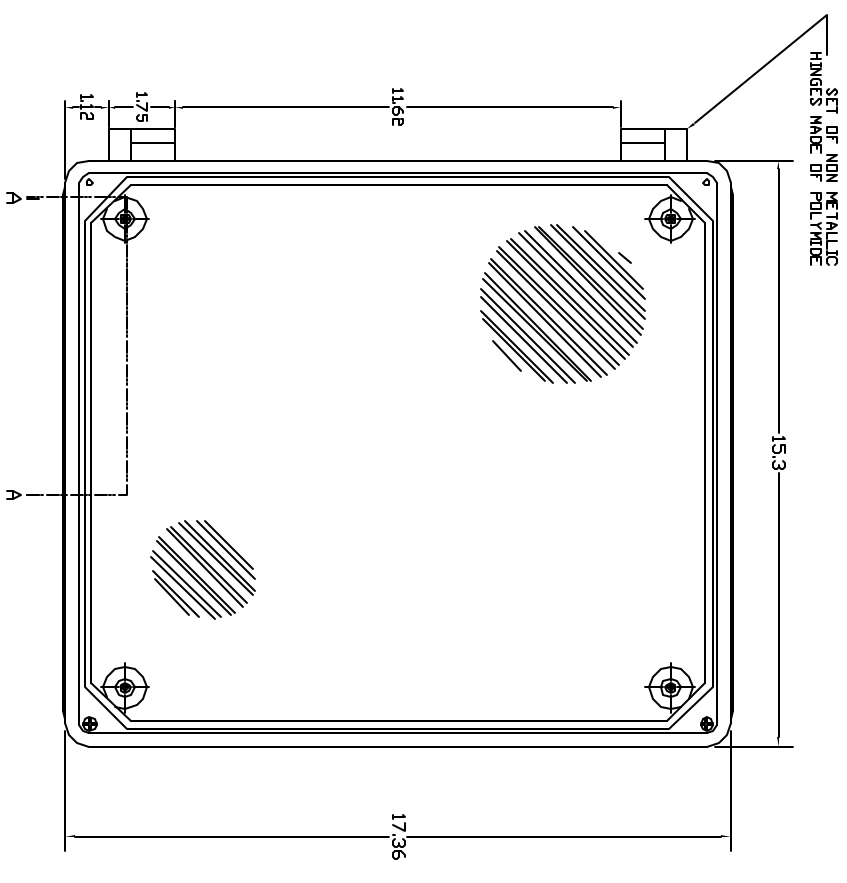
FRONT VIEW COVER REMOVED



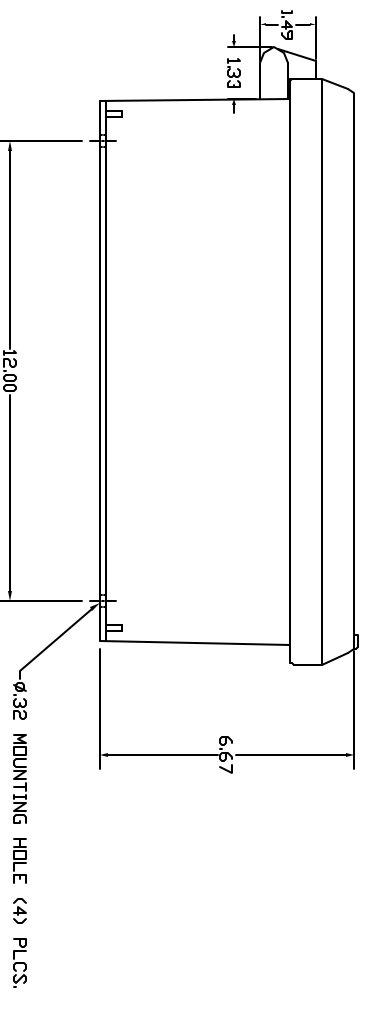
RIGHT SIDE VIEW



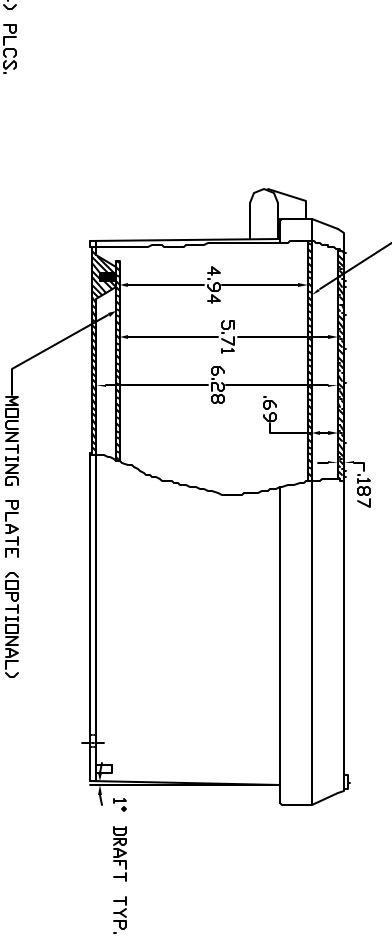
FRONT VIEW



END VIEW



SECTION A-A



- NOTES:
- ENCLOSURE MATERIAL MADE OF GRAY (RAL 7036) HOT MOLDED FIBERGLASS REINFORCED POLYESTER.
 - UL LISTED PER STD. 508. (FILE# ES4315)
 - CSA CERTIFIED PER STD. C22.2 NO. 94. (FILE# LR36508)
 - NEMA RATED TYPE 3, 3R, 3S, 4, 4X, 12 AND 13.
 - IEC 529 RATED IP 68.
 - RESISTANT TO TEMPERATURES UP TO 150 DEG C.
 - SELF EXTINGUISHING AND HALOGEN FREE.
 - ACCESSORIES INCLUDE: BACK PANELS, HINGEABLE FRONT PLATES, HINGED COVERS, PRINT POCKET, LATCHES, WINDOWS, AND VENTILATORS.
 - CABINETS ARE MAINTENANCE FREE AND CORROSION RESISTANT.
 - BACKPANEL SIZE 14.75" X 12.88"

| | | | |
|--|-----------------------|--|---|
| THE DRAWING IS THE ORIGINAL, AND ANY REVISIONS TO THE DRAWING SHALL BE INDICATED BY A REVISION SYMBOL OR BY A CHANGE ORDER. THE ORIGINAL DRAWING SHALL BE KEPT AT ALL TIMES. THE ORIGINAL DRAWING SHALL BE KEPT AT ALL TIMES. THE ORIGINAL DRAWING SHALL BE KEPT AT ALL TIMES. | | UNLESS OTHERWISE SPECIFIED, ALL DIMENSIONS SHALL BE IN INCHES. DIMENSIONS IN PARENTHESES ARE IN MILLIMETERS. DIMENSIONS IN PARENTHESES ARE IN MILLIMETERS. DIMENSIONS IN PARENTHESES ARE IN MILLIMETERS. | |
| DRAWN BY: J. CHANDLER CHECKED BY: J. CHANDLER | DATE: 2/1/79 | VJ SERIES ENCLOSURE VINCICKER PART# CV11614NHV | VINCICKER ENCLOSURE SYSTEMS, INC. 1000 W. 10TH ST. SUITE 100 DENVER, CO 80202 |
| SIZE: 1/8" X 1/2" X 1/4" SHEET: 0 | PROJ. NO.: CV11614NHV | DATE: 2/1/79 | REV: 0 |