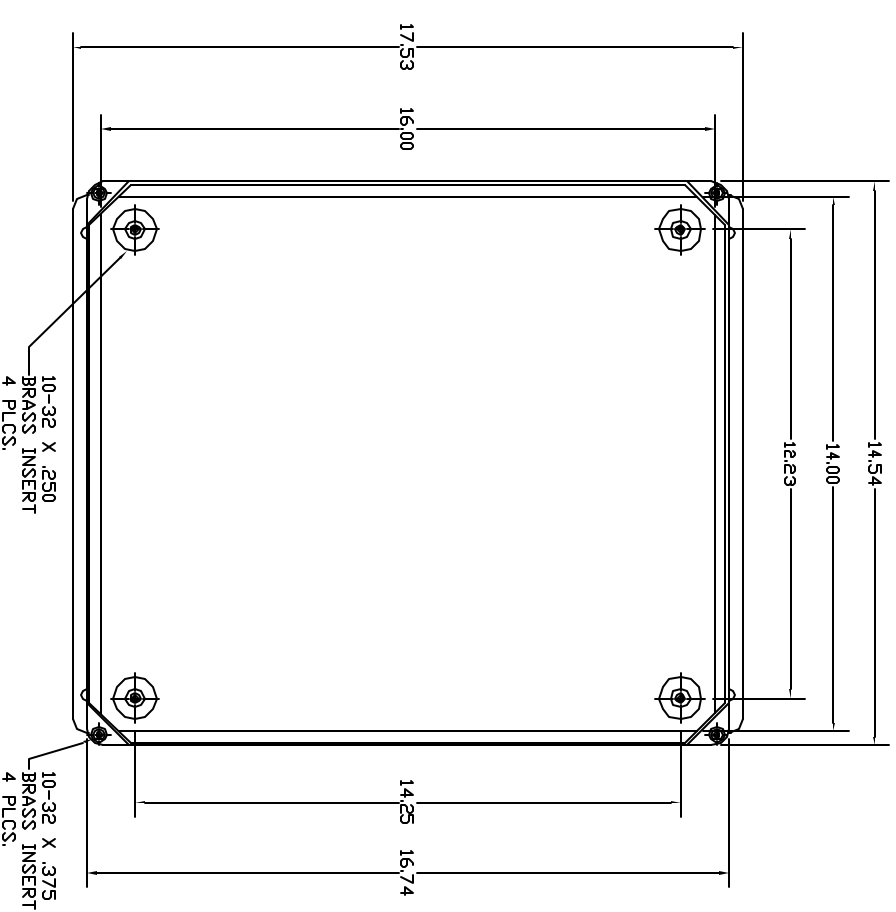
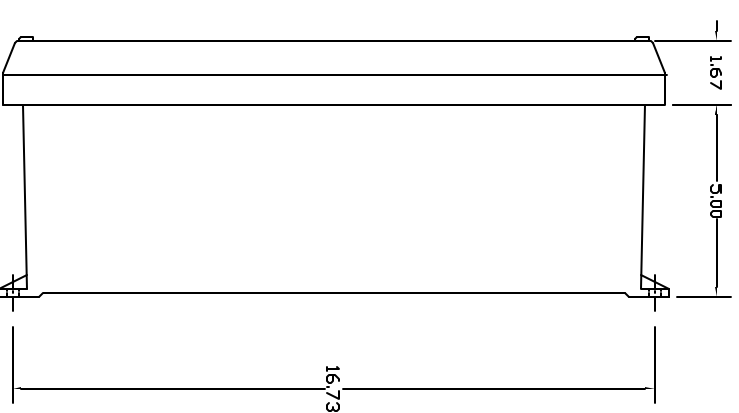


| REVISIONS | | | | |
|-----------|-----|-------------|------|----------|
| ZONE | REV | DESCRIPTION | DATE | APPROVED |
| | | | | |

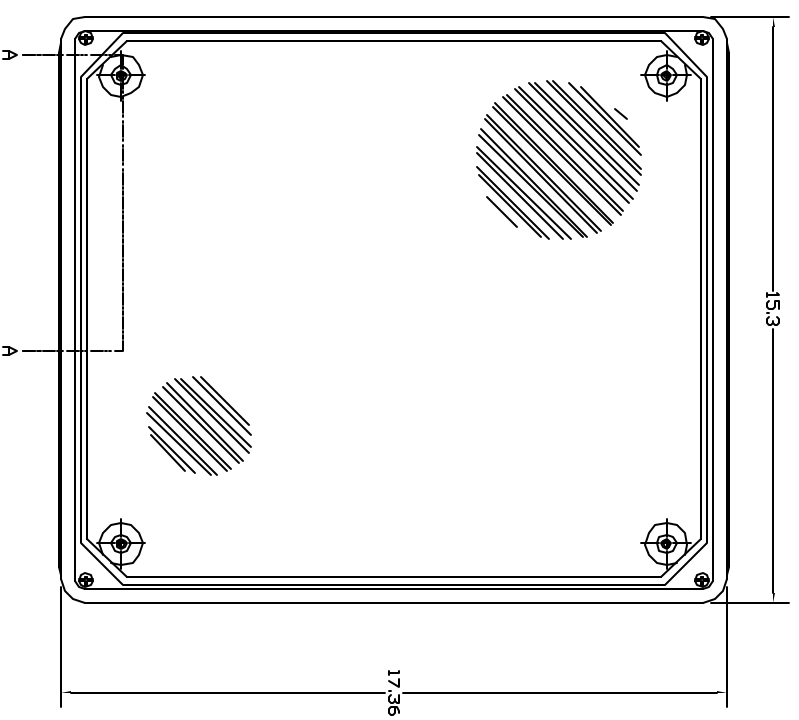
FRONT VIEW COVER REMOVED



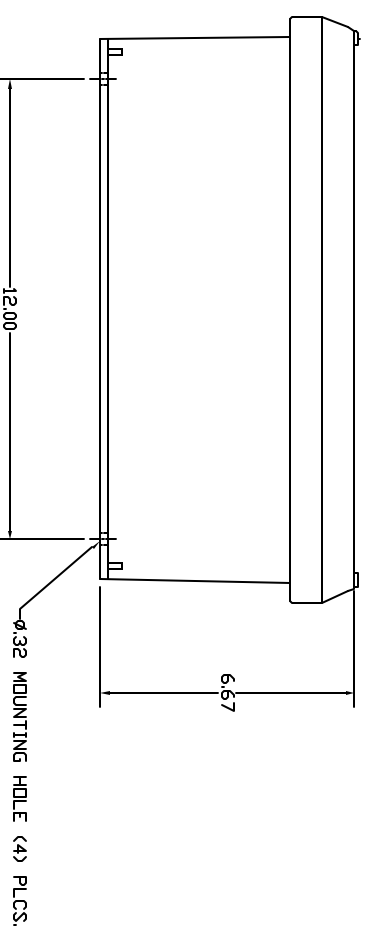
RIGHT SIDE VIEW



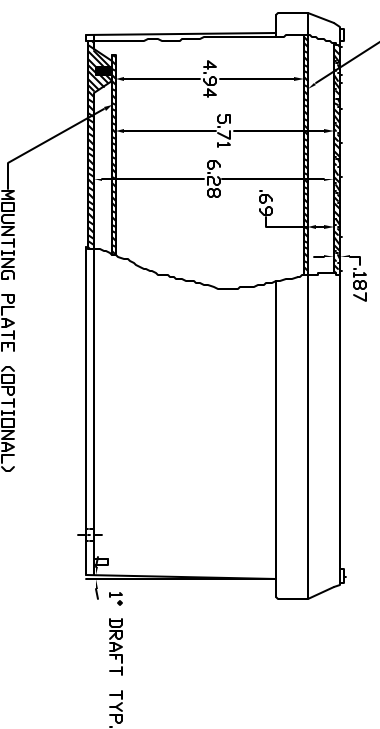
FRONT VIEW



END VIEW



HINGED FRONT PANEL (OPTIONAL)



SECTION A-A

- NOTES:
- ENCLOSURE MATERIAL MADE OF GRAY (RAL 7036) HOT MOLDED FIBERGLASS REINFORCED POLYESTER.
 - U.L. LISTED PER STD. 508. (FILE# E54315)
 - CSA CERTIFIED PER STD. C222 ND. 94. (FILE# LR36508)
 - NEMA RATED TYPE 3, 3R, 3S, 4, 4X, 12 AND 13.
 - IEC 529 RATED IP 68.
 - RESISTANT TO TEMPERATURES UP TO 150 DEG. C.
 - SELF EXTINGUISHING AND HALOGEN FREE.
 - ACCESSORIES INCLUDE: BACK PANELS, HINGEABLE FRONT PLATES, HINGED COVERS, PRINT POCKET, LATCHES, WINDOWS, AND VENTILATORS.
 - CABINETS ARE MAINTENANCE FREE AND CORROSION RESISTANT.
 - BACKPANEL SIZE 14.75" X 12.88"

| | | | | | |
|---|---------|---|------|---|-----|
| THE DRAWING IS THE PROPERTY OF VINCICKER AND IS NOT TO BE REPRODUCED OR TRANSMITTED IN ANY FORM OR BY ANY MEANS, ELECTRONIC OR MECHANICAL, INCLUDING PHOTOCOPYING, RECORDING, OR BY ANY INFORMATION STORAGE AND RETRIEVAL SYSTEM, WITHOUT PERMISSION IN WRITING FROM VINCICKER SYSTEMS INC. | | VINCICKER SYSTEMS INC. IN VINCICKER, OHIO 44089-1000 DRAWN BY: J. D. HARRIS DATE: 2/15/91 | | VINCICKER ENCLOSURE SYSTEMS INC. VJ SERIES ENCLOSURE VINCICKER PART # CW1614W | |
| DESIGN | CHECKED | DATE | SIZE | SCALE | REV |
| | | | D | 1:1 | 0 |

| | | | | | |
|--------|---------|------|------|-------|-----|
| DESIGN | CHECKED | DATE | SIZE | SCALE | REV |
| | | | D | 1:1 | 0 |