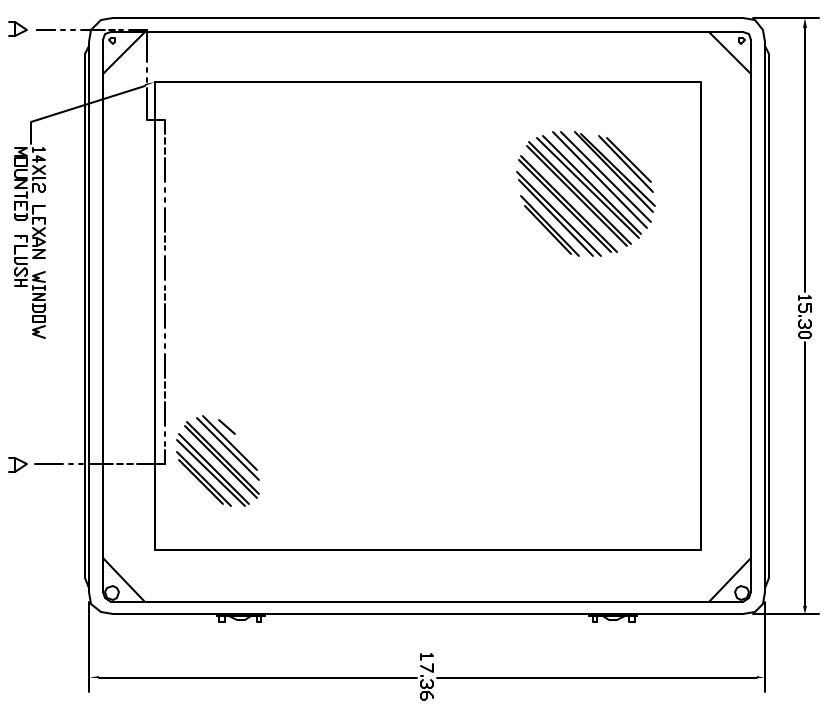
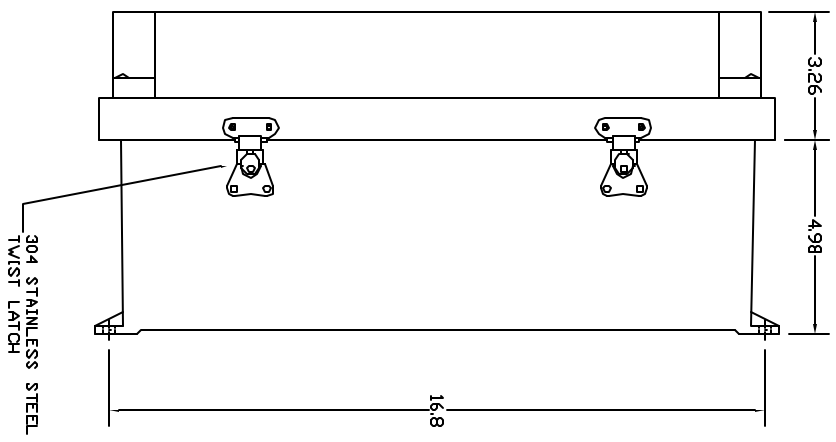


REVISIONS				
ZONE	REV	DESCRIPTION	DATE	APPROVED

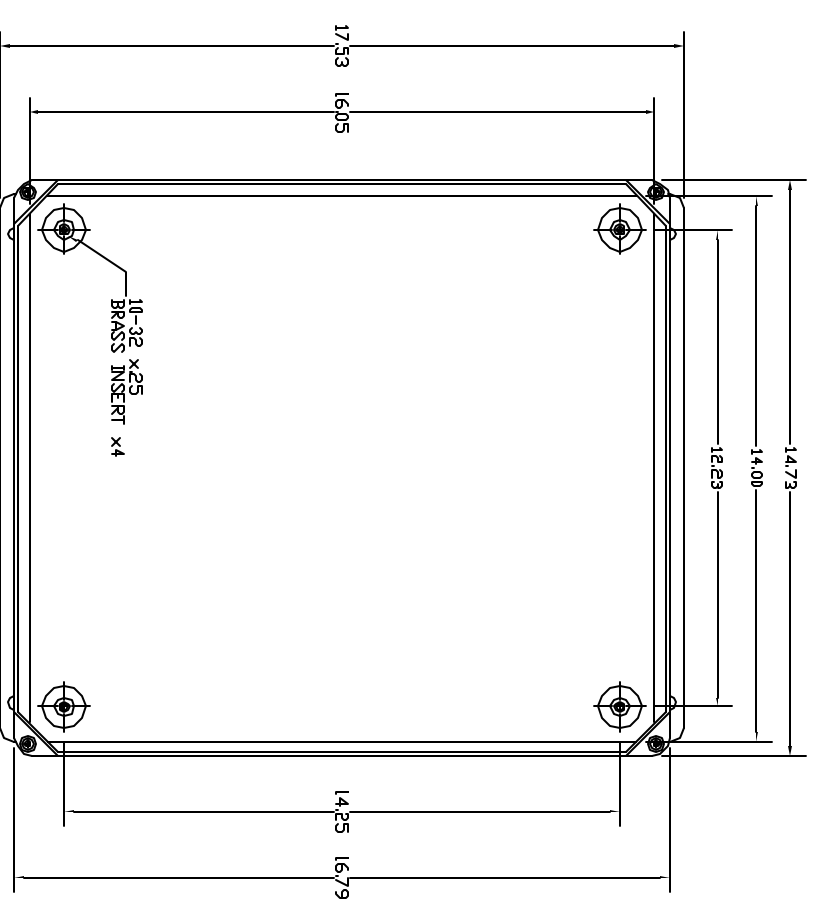
FRONT VIEW



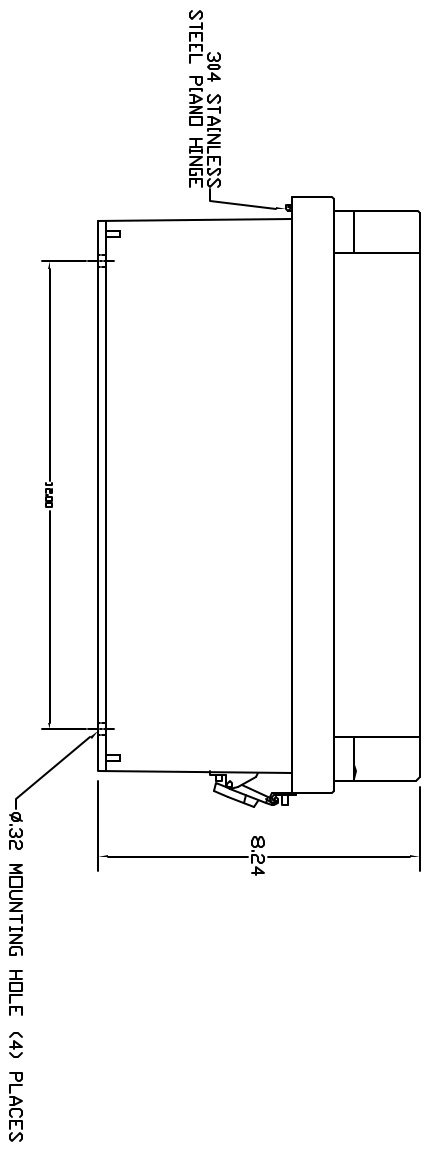
RIGHT SIDE VIEW



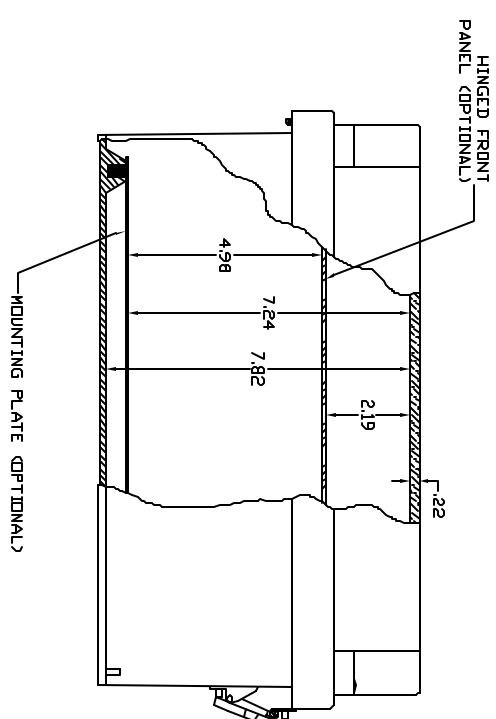
FRONT VIEW COVER REMOVED



END VIEW



SECTION A-A



- NOTES:
- ENCLOSURE MATERIAL MADE OF GRAY (RAL 7036) HOT MOLDED FIBERGLASS REINFORCED POLYESTER.
  - UL LISTED PER STD. 508, (FILE# ES4315)
  - CSA CERTIFIED PER STD. C222 NO. 94, (FILE# LR36508)
  - NEMA RATED TYPE 3, 3R, 3S, 4, 4X, 12 AND 13.
  - IEC 329 RATED IP 68
  - TEMPERATURE RANGES FROM -50 DEG. C TO 150 DEG. C
  - SELF EXTINGUISHING AND HALOGEN FREE
  - ACCESSORIES INCLUDE BACK PANELS, DEAD FRONT PANELS, HINGED FRONT PLATES, HINGED COVERS, PRINT POCKETS, LATCHES, WINDOWS, AND VENTILATORS.
  - CABINETS ARE MAINTENANCE FREE AND CORROSION RESISTANT.

UNLESS OTHERWISE SPECIFIED DIMENSIONS ARE IN MILLIMETERS		VYNCKIER ENCLOSURE SYSTEMS LTD.	
SCALE 1:1	DATE 02/21/09	SIZE FROM NO. D	DWG NO. RVJ01614HALL2
DRAWN KEVIN DUBOIS	DESIGN DESIGN	REV 0	SHEET
THE DRAWING IS THE PROPERTY OF VYNCKIER ENCLOSURE SYSTEMS AND SHALL NOT BE REPRODUCED OR TRANSMITTED IN ANY FORM OR BY ANY MEANS, ELECTRONIC OR MECHANICAL, INCLUDING PHOTOCOPYING, RECORDING, OR BY ANY INFORMATION STORAGE AND RETRIEVAL SYSTEM.			