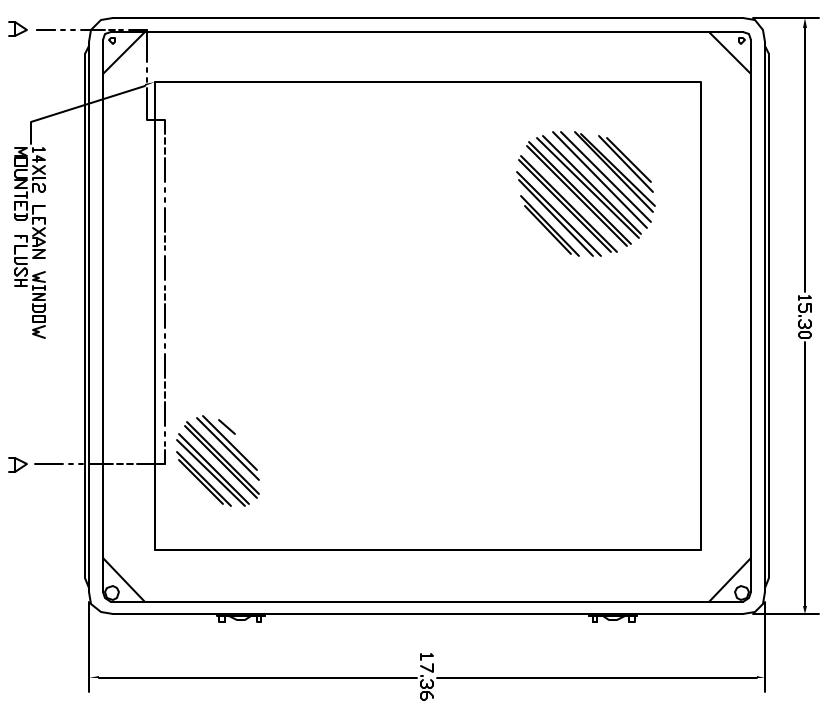
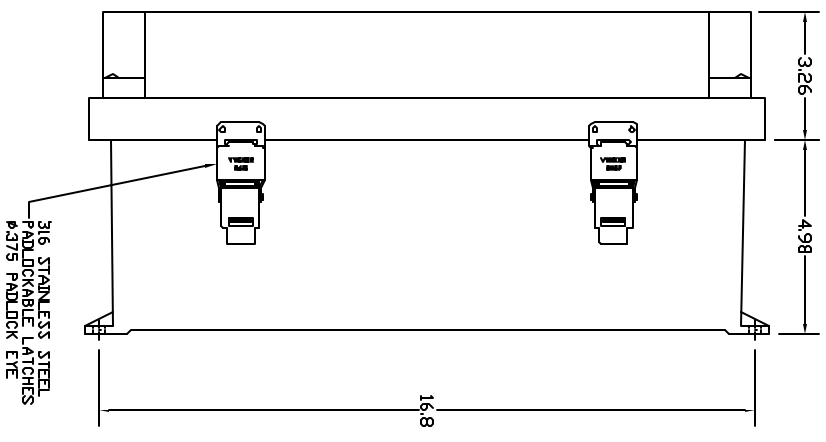


REVISIONS				
ZONE	REV	DESCRIPTION	DATE	APPROVED

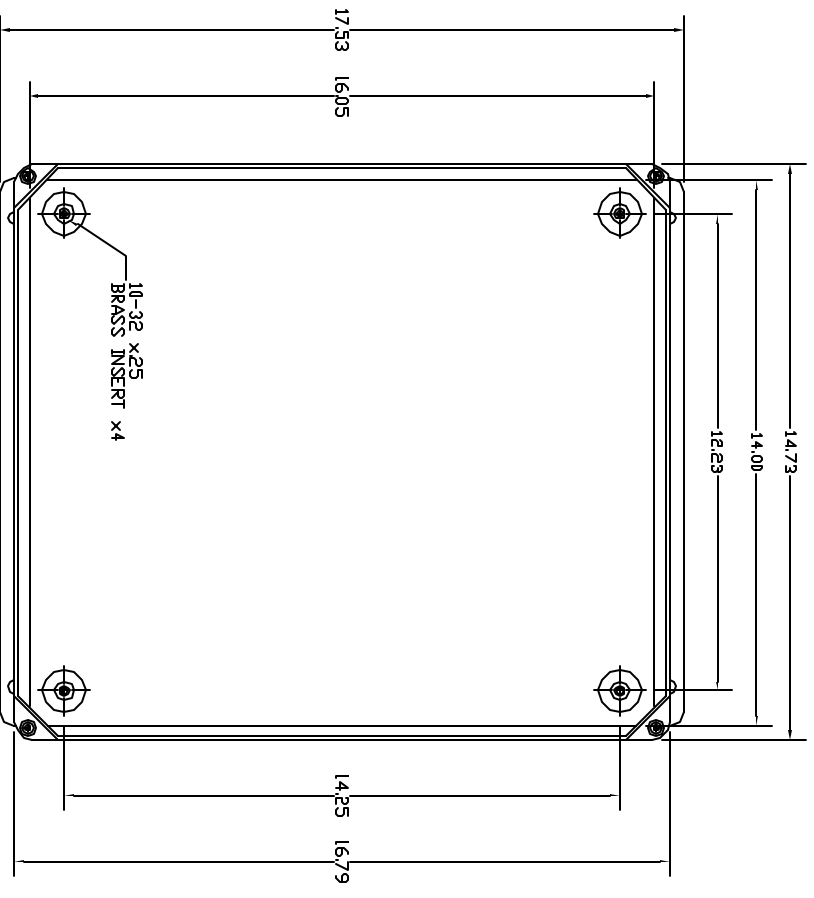
FRONT VIEW



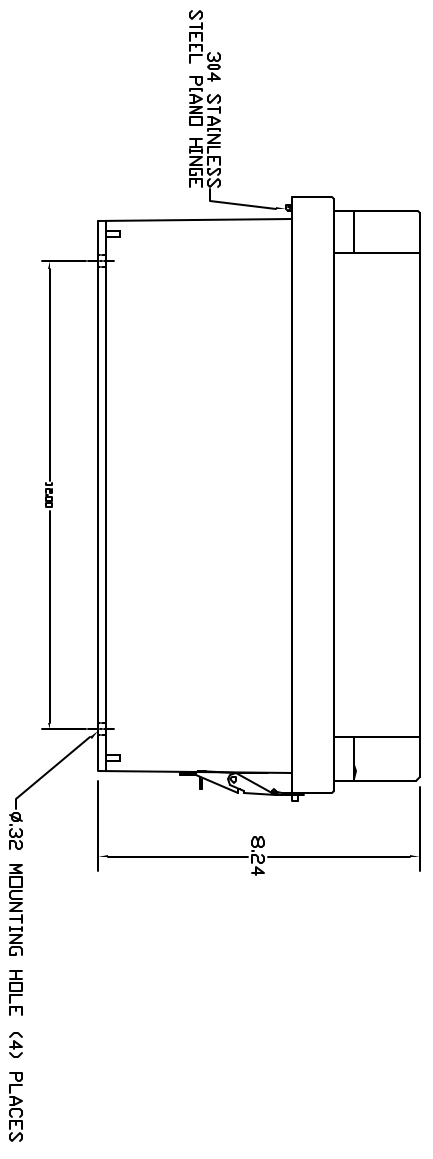
RIGHT SIDE VIEW



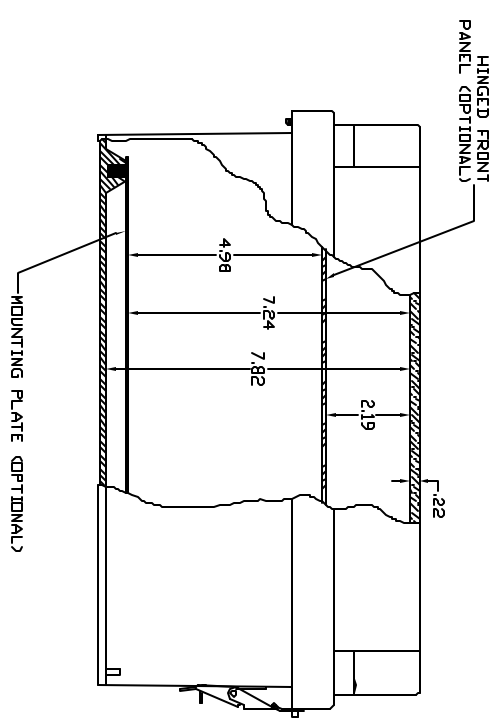
FRONT VIEW COVER REMOVED



END VIEW



SECTION A-A



- NOTES:
- ENCLOSURE MATERIAL MADE OF GRAY (RAL 7036) HOT MOLDED FIBERGLASS REINFORCED POLYESTER.
 - UL LISTED PER STD. 508, (FILE# ES4315)
 - CSA CERTIFIED PER STD. C222 NO. 94, (FILE# LR36508)
 - NEMA RATED TYPE 3, 3R, 3S, 4, 4X, 12 AND 13.
 - IEC 329 RATED IP 68
 - TEMPERATURE RANGES FROM -50 DEG. C TO 150 DEG. C
 - SELF EXTINGUISHING AND HALOGEN FREE
 - ACCESSORIES INCLUDE BACK PANELS, DEAD FRONT PANELS, HINGED FRONT PLATES, HINGED COVERS, PRINT POCKETS, LATCHES, WINDOWS, AND VENTILATORS.
 - CABINETS ARE MAINTENANCE FREE AND CORROSION RESISTANT.

UNLESS OTHERWISE SPECIFIED DRAWING ARE IN METRIC

SCALE: 1:1

DATE: 02/21/09

DESIGNER: KERR DUBOIS

CHECKED: [Signature]

APPROVED: [Signature]

WYCKKIER ENCLOSURE SYSTEMS LTD.

VJ SERIES ENCLOSURE

WYCKKIER PART # RVJUB1614HWPL2

SIZE: FROM NO. [] DWG NO. RVJUB1614HWPL2

REV: 0

THESE DRAWINGS ARE THE PROPERTY OF WYCKKIER ENCLOSURE SYSTEMS AND SHALL NOT BE REPRODUCED OR COPIED IN ANY MANNER WITHOUT THE WRITTEN PERMISSION OF WYCKKIER ENCLOSURE SYSTEMS LTD.