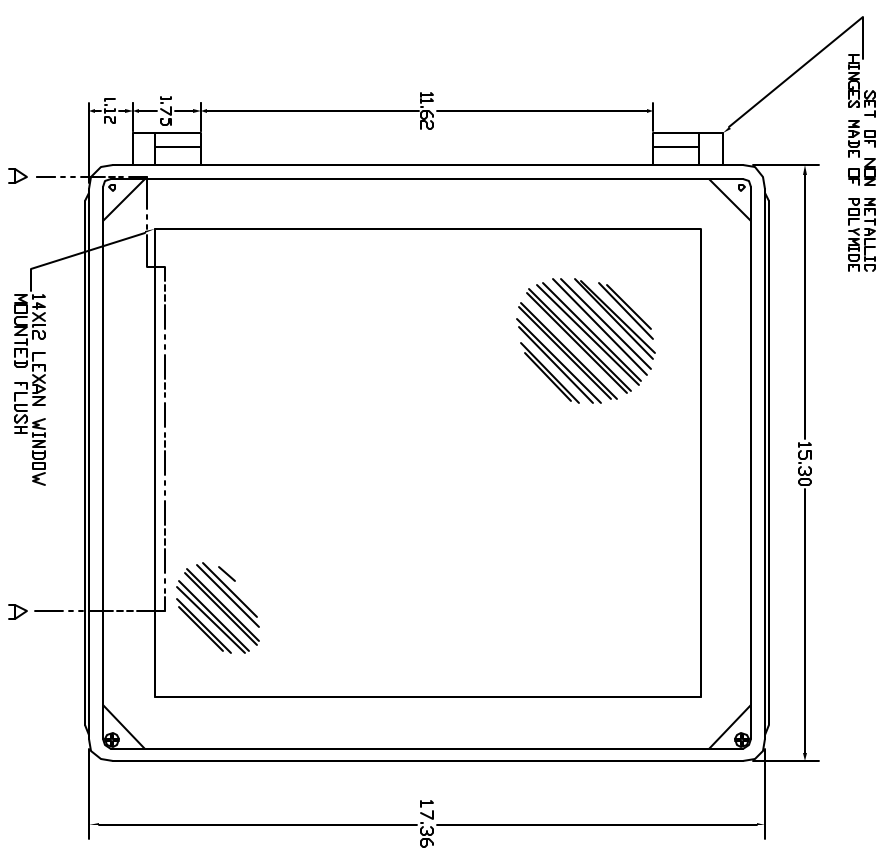
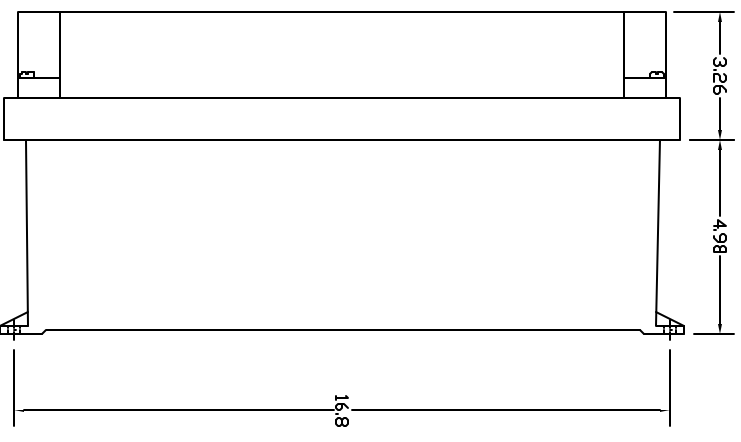


REVISIONS				
ZONE	REV	DESCRIPTION	DATE	APPROVED

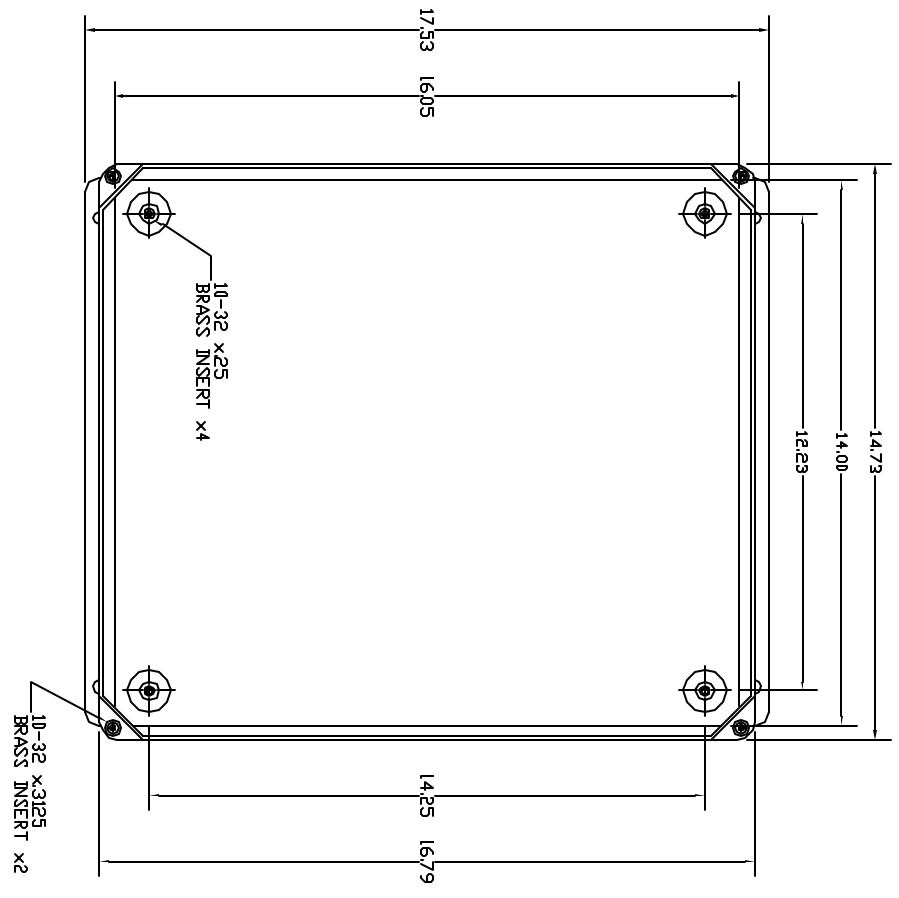
FRONT VIEW



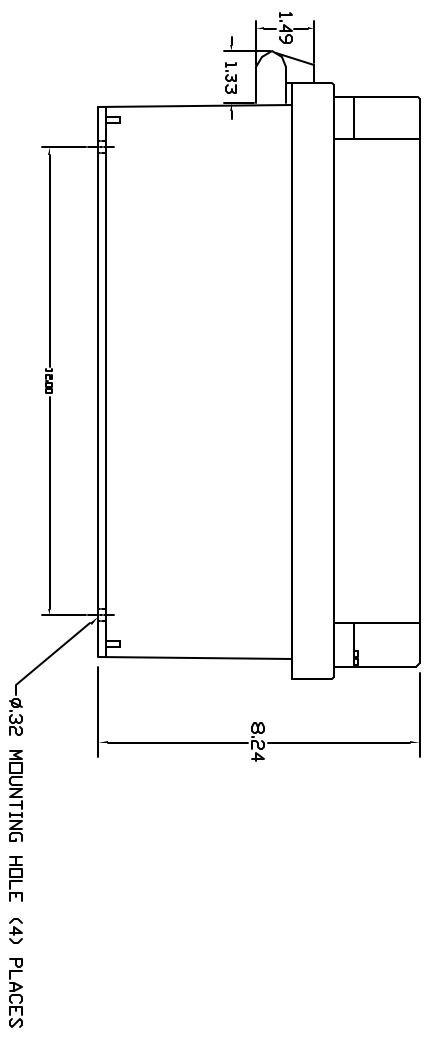
RIGHT SIDE VIEW



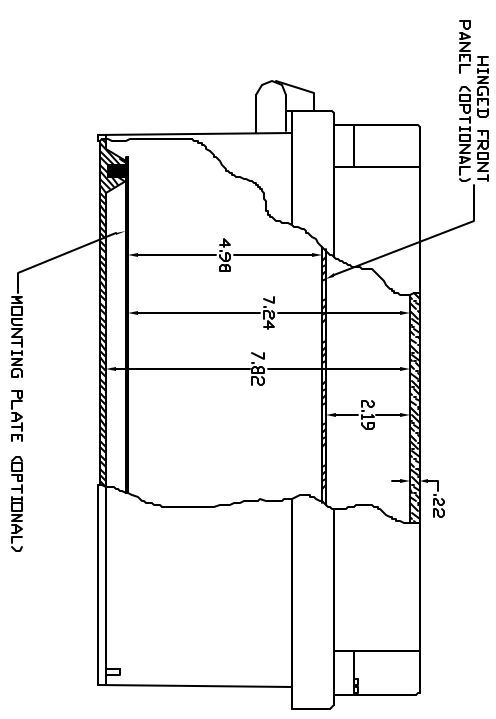
FRONT VIEW COVER REMOVED



END VIEW



SECTION A-A



- NOTES:
- ENCLOSURE MATERIAL MADE OF GRAY (RAL 7036) HOT MOLDED FIBERGLASS REINFORCED POLYESTER.
  - UL LISTED PER STD. 508, (FILE# ES4915)
  - CSA CERTIFIED PER STD. C222 NO. 94, (FILE# LR36508)
  - NEMA RATED TYPE 3, 3R, 3S, 4, 4X, 12 AND 13.
  - IEC 329 RATED IP 68
  - TEMPERATURE RANGES FROM -50 DEG. C TO 150 DEG. C
  - SELF EXTINGUISHING AND HALOGEN FREE
  - ACCESSORIES INCLUDE BACK PANELS, DEAD FRONT PANELS, HINGED FRONT PLATES, HINGED COVERS, PRINT POCKETS, LATCHES, WINDOWS, AND VENTILATORS.
  - CABINETS ARE MAINTENANCE FREE AND CORROSION RESISTANT.

UNLESS OTHERWISE SPECIFIED DIMENSIONS ARE IN MILLIMETERS DECIMALS ARE TO BE ROUNDED UP TO THE NEXT HIGHER WHOLE NUMBER		THE DRAWING IS THE PROPERTY OF VYNCKIER SYSTEMS AND SHALL NOT BE REPRODUCED OR COPIED IN ANY MANNER WITHOUT THE WRITTEN PERMISSION OF VYNCKIER SYSTEMS LTD.	
DESIGNER	DATE	SCALE	REV
DRAWN	22/23/09	1:1	0
CHECKED			
APPROVED			
<b>VYNCKIER</b> ENCLOSURE SYSTEMS LTD.		VJ SERIES ENCLOSURE VYNCKIER PART # RVJUB1614NH/W	DWG NO. RVJUB1614NH/W
REV	0	SIZE	A4
NO.	0	SCALE	1:1
DATE		SHEET	