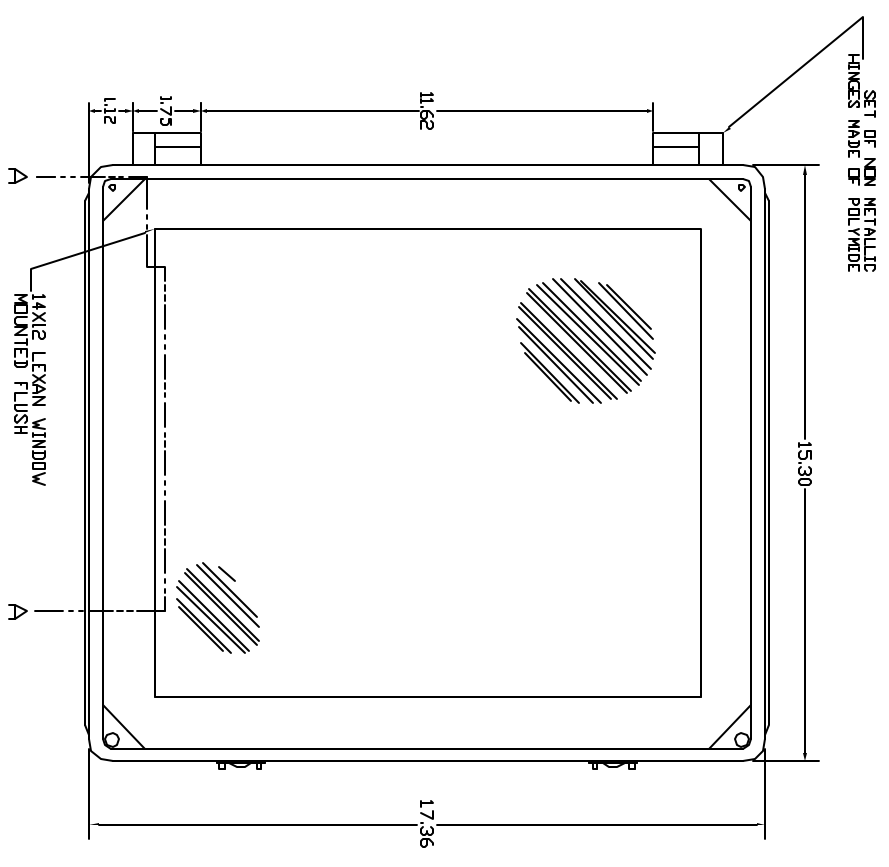
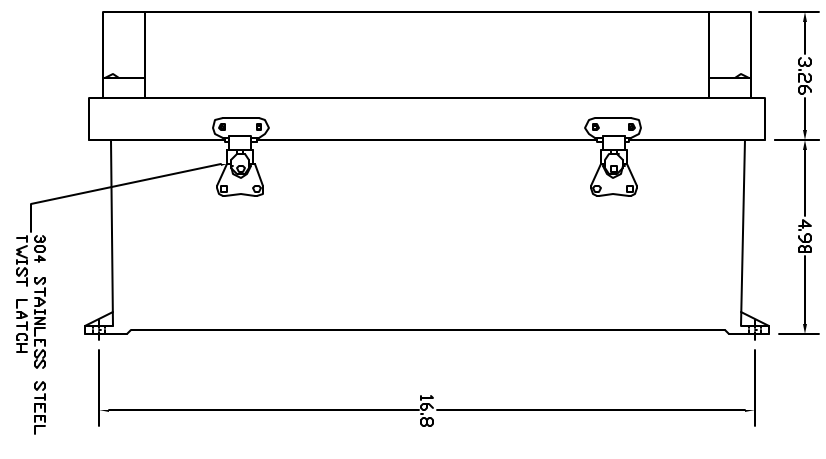


REVISIONS				
ZONE	REV	DESCRIPTION	DATE	APPROVED

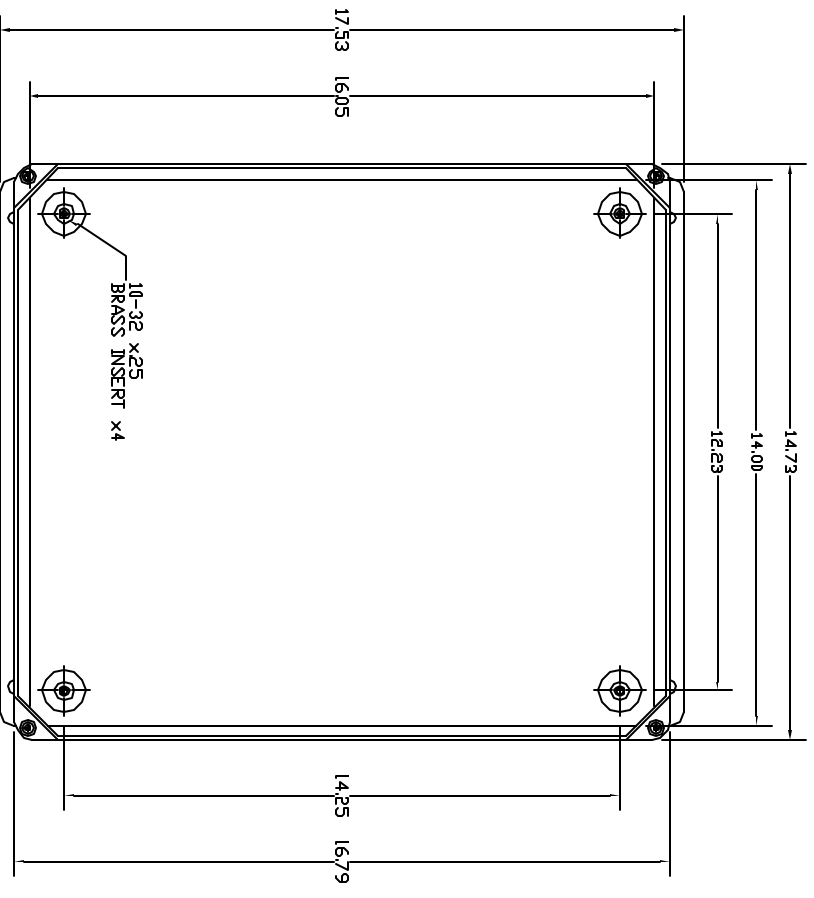
FRONT VIEW



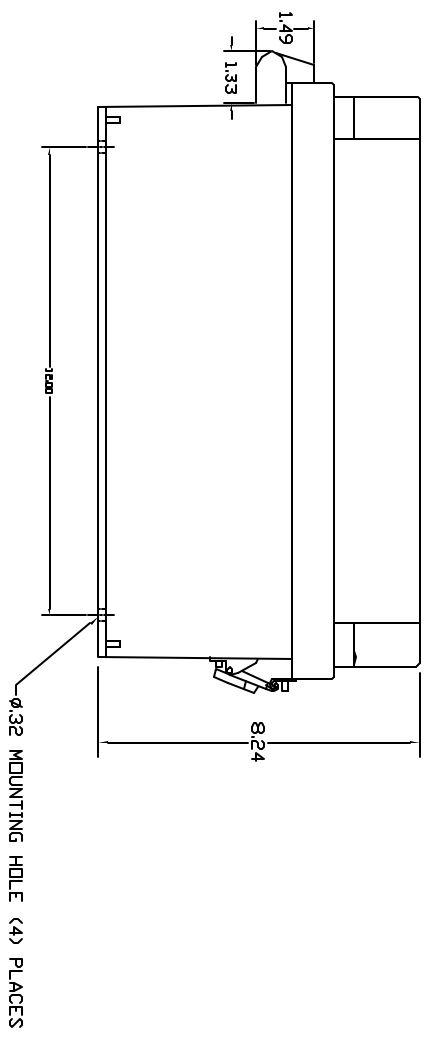
RIGHT SIDE VIEW



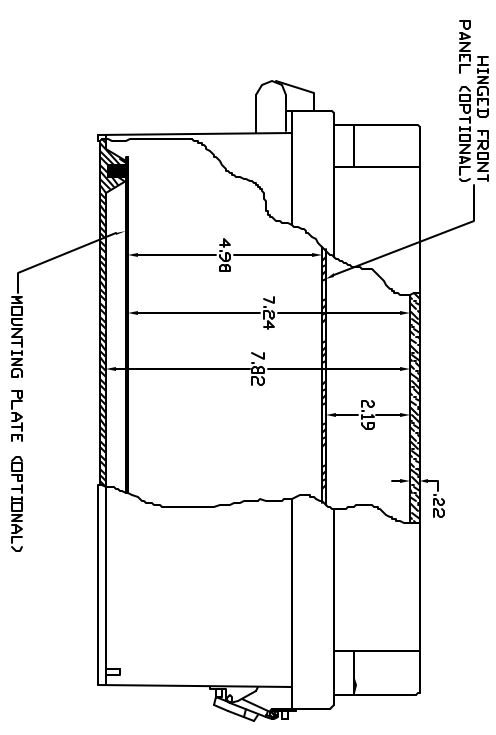
FRONT VIEW COVER REMOVED



END VIEW



SECTION A-A



- NOTES:
- ENCLOSURE MATERIAL MADE OF GRAY (RAL 7036) HOT MOLDED FIBERGLASS REINFORCED POLYESTER.
 - UL LISTED PER STD. 508, (FILE# ES4315).
 - CSA CERTIFIED PER STD. C222 NO. 94, (FILE# LR36508)
 - NEMA RATED TYPE 3, 3R, 3S, 4, 4X, 12 AND 13.
 - IEC 329 RATED IP 68
 - TEMPERATURE RANGES FROM -50 DEG. C TO 150 DEG. C
 - SELF EXTINGUISHING AND HALOGEN FREE
 - ACCESSORIES INCLUDE BACK PANELS, DEAD FRONT PANELS, HINGED FRONT PLATES, HINGED COVERS, PRINT POCKETS, LATCHES, WINDOWS, AND VENTILATORS.
 - CABINETS ARE MAINTENANCE FREE AND CORROSION RESISTANT.

UNLESS OTHERWISE SPECIFIED DRAWING ARE IN METRIC

WYNNCKIER ENCLOSURE SYSTEMS LTD.

VJ SERIES ENCLOSURE WYNNCKIER PART # RVJUB1614NHLL2

DESIGN	DATE	REV
	02/21/09	0

DRAWN	CHKD	APPD
KERI DUBOVIK		

SIZE	FORM NO.	DWG NO.
D		RVJUB1614NHLL2

SCALE	SHEET

THE DRAWING IS THE PROPERTY OF WYNNCKIER ENCLOSURE SYSTEMS LTD. IT IS TO BE USED ONLY FOR THE PROJECT AND SHALL NOT BE REPRODUCED OR COPIED IN ANY MANNER WITHOUT THE WRITTEN PERMISSION OF WYNNCKIER ENCLOSURE SYSTEMS LTD.