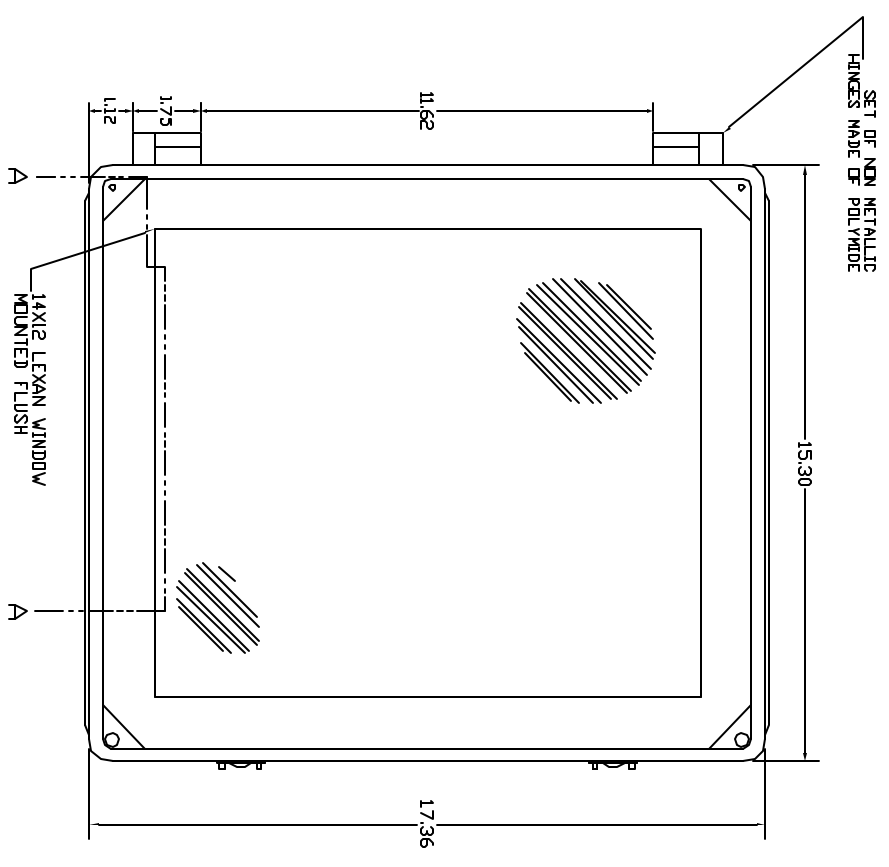
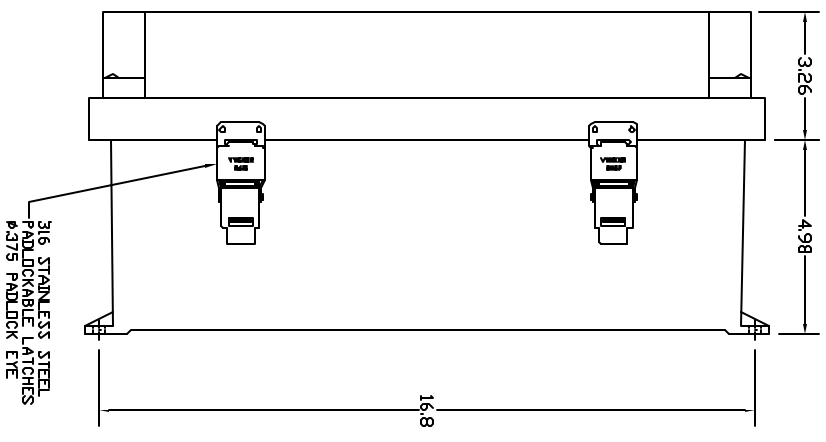


REVISIONS				
ZONE	REV	DESCRIPTION	DATE	APPROVED

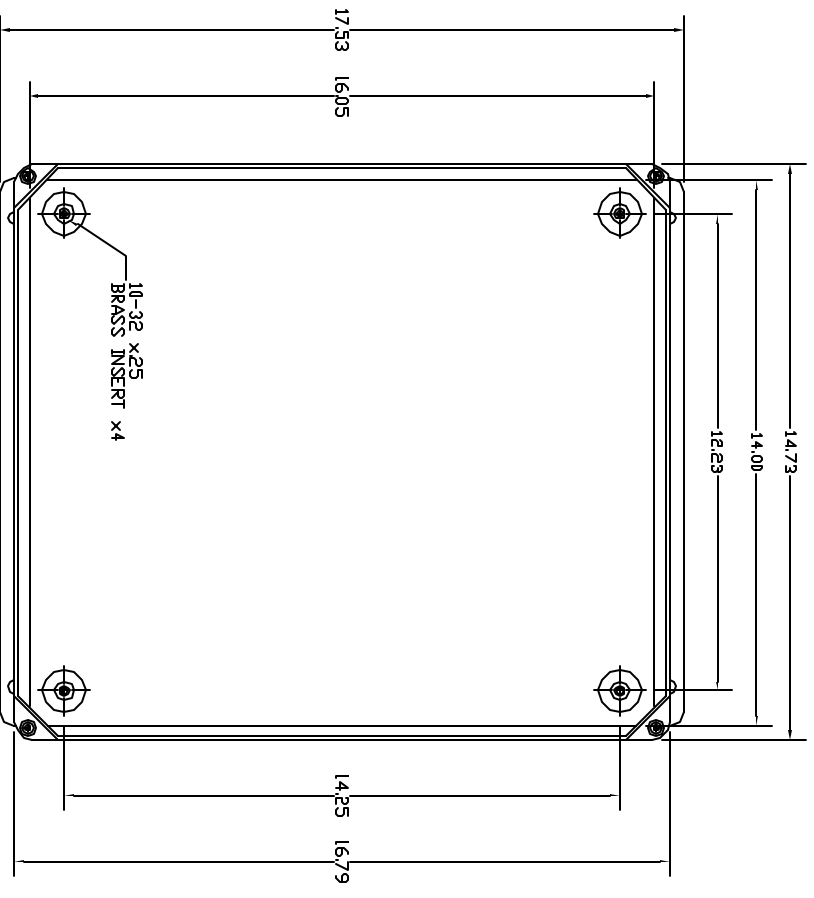
FRONT VIEW



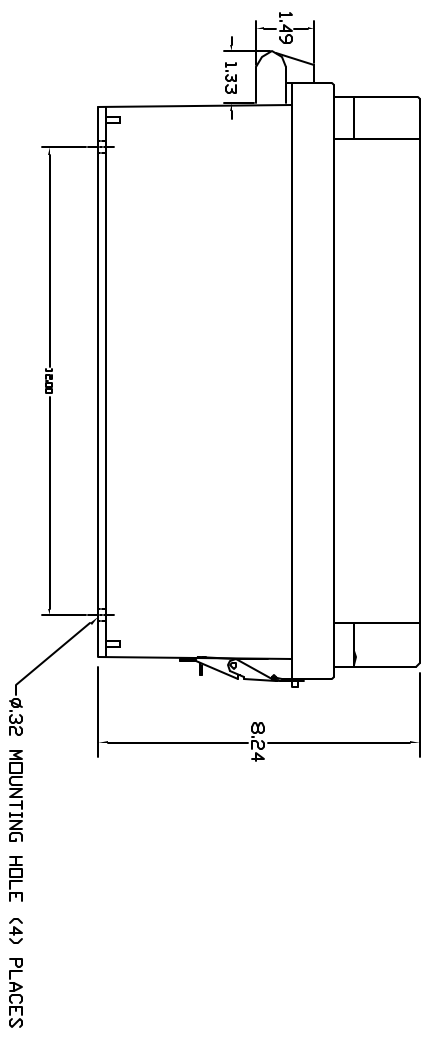
RIGHT SIDE VIEW



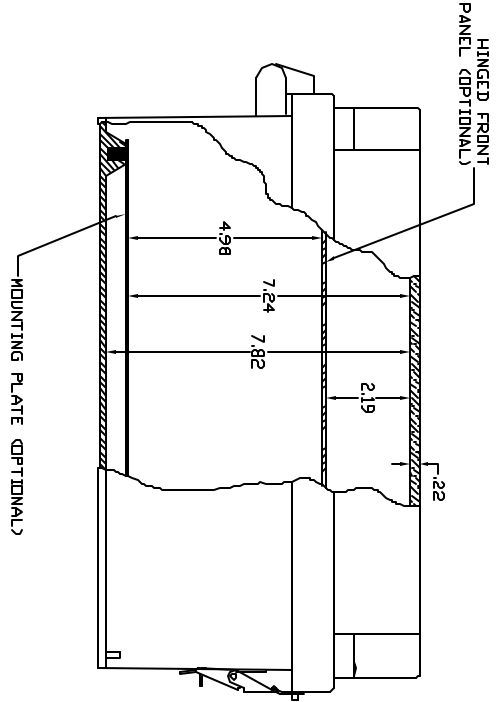
FRONT VIEW COVER REMOVED



END VIEW



SECTION A-A



- NOTES:
- ENCLOSURE MATERIAL MADE OF GRAY (RAL 7036) HOT MOLDED FIBERGLASS REINFORCED POLYESTER.
  - UL LISTED PER STD. 508, (FILE# ES4315).
  - CSA CERTIFIED PER STD. C222 NO. 94, (FILE# LR36508)
  - NEMA RATED TYPE 3, 3R, 3S, 4, 4X, 12 AND 13.
  - IEC 329 RATED IP 68
  - TEMPERATURE RANGES FROM -50 DEG. C TO 150 DEG. C
  - SELF EXTINGUISHING AND HALOGEN FREE
  - ACCESSORIES INCLUDE BACK PANELS, DEAD FRONT PANELS, LATCHES, WINDOWS, AND VENTILATORS.
  - CABINETS ARE MAINTENANCE FREE AND CORROSION RESISTANT.

UNLESS OTHERWISE SPECIFIED DIMENSIONS ARE IN MILLIMETERS

WYNNCKIER ENCLOSURE SYSTEMS LTD.

VJ SERIES ENCLOSURE  
WYNNCKIER PART # RVJUB1614NHWP.L2

DESIGNER	DATE	REV

SIZE	FORM NO.	DWG NO.
D		RVJUB1614NHWP.L2

SCALE	SHEET

THE DRAWING IS THE PROPERTY OF WYNNCKIER ENCLOSURE SYSTEMS AND SHALL NOT BE REPRODUCED OR TRANSMITTED IN ANY FORM OR BY ANY MEANS, ELECTRONIC OR MECHANICAL, INCLUDING PHOTOCOPYING, RECORDING, OR BY ANY INFORMATION STORAGE AND RETRIEVAL SYSTEM.