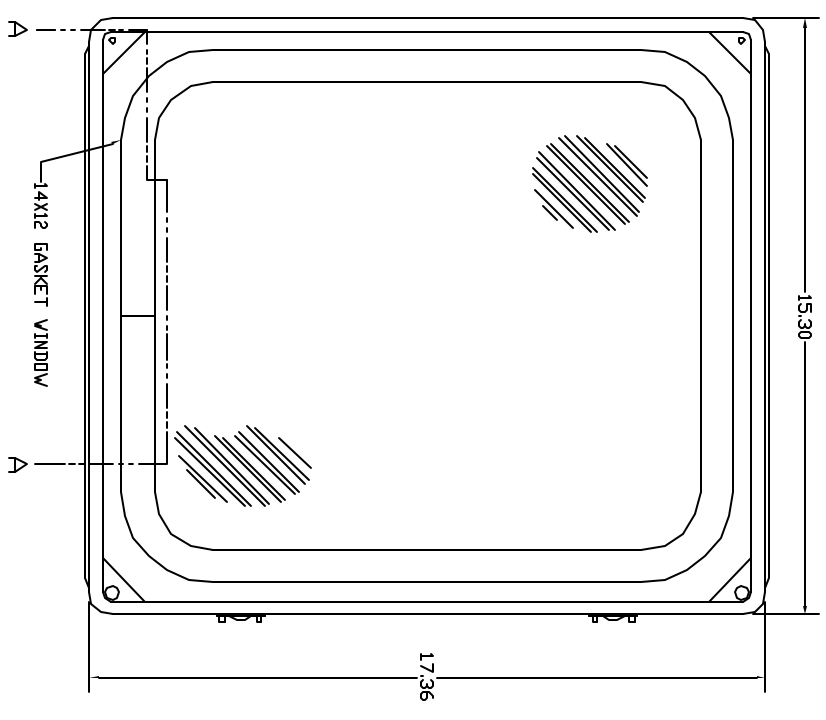
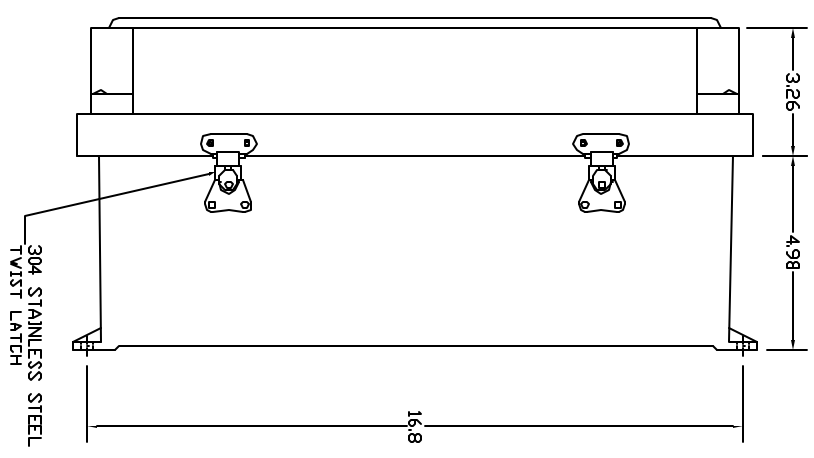


REVISIONS				
ZONE	REV	DESCRIPTION	DATE	APPROVED

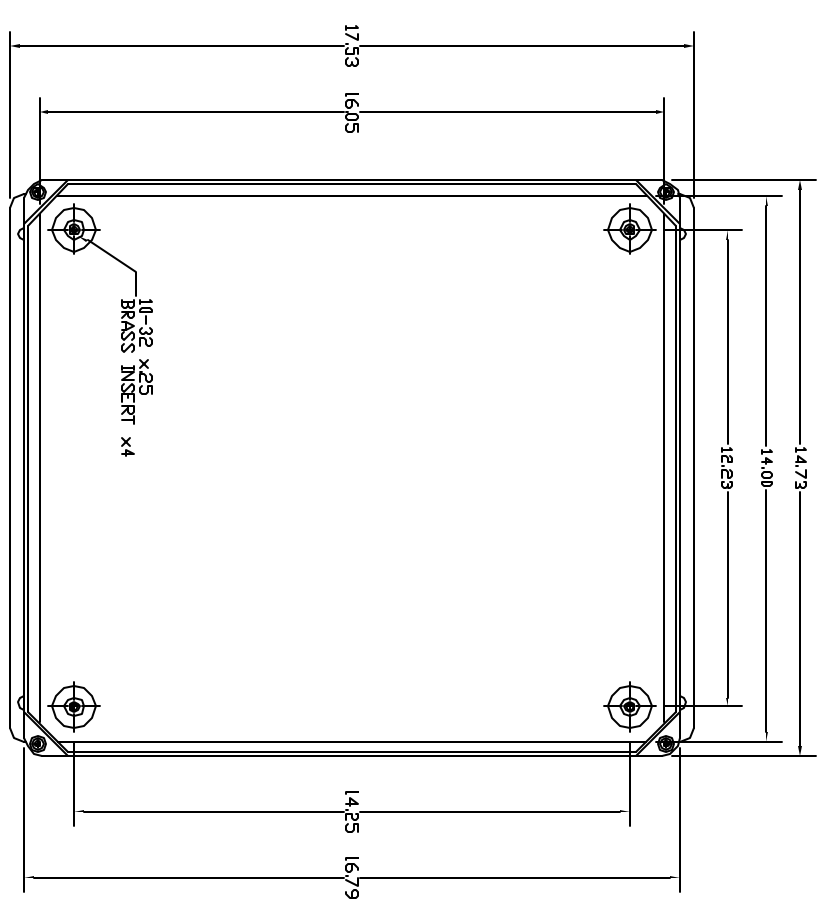
FRONT VIEW



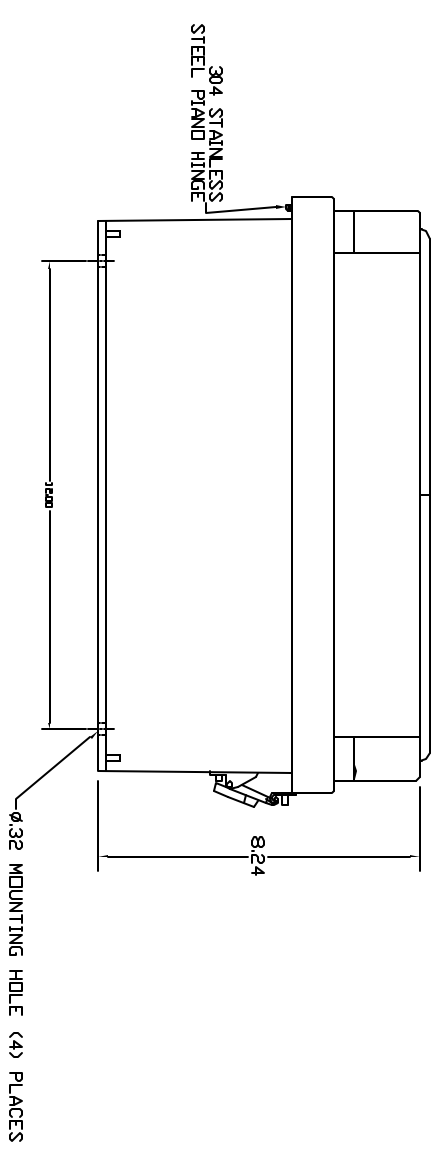
RIGHT SIDE VIEW



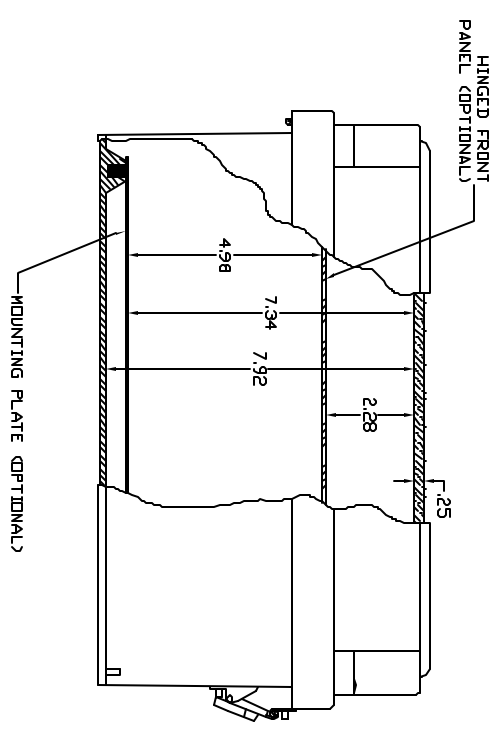
FRONT VIEW COVER REMOVED



END VIEW



SECTION A-A



- NOTES:
- ENCLOSURE MATERIAL MADE OF GRAY (RAL 7036) HOT MOLDED FIBERGLASS REINFORCED POLYESTER.
 - UL LISTED PER STD. 508, (FILE# ES4315)
 - CSA CERTIFIED PER STD. C222 NO. 94, (FILE# LR36508)
 - NEMA RATED TYPE 3, 3R, 3S, 4, 4X, 12 AND 13.
 - IEC 329 RATED IP 68
 - TEMPERATURE RANGES FROM -50 DEG. C TO 150 DEG. C
 - SELF EXTINGUISHING AND HALOGEN FREE
 - ACCESSORIES INCLUDE BACK PANELS, DEAD FRONT PANELS, HINGED FRONT PLATES, HINGED COVERS, PRINT POCKETS, LATCHES, WINDOWS, AND VENTILATORS.
 - CABINETS ARE MAINTENANCE FREE AND CORROSION RESISTANT.

UNLESS OTHERWISE SPECIFIED		DRAWN BY: M. H. HARRIS	
SCALE: 1:1		CHECKED BY: M. H. HARRIS	
DATE: 02/21/06		DESIGN: M. H. HARRIS	
VYNCKIER ENCLOSURE SYSTEMS LTD.		VJ SERIES ENCLOSURE	
VYNCKIER PART # RVJG1614HWL12		DWG NO: RVJG1614HWL12	
REV: 0	DATE: 02/21/06	SCALE: 1:1	SHEET: 1

THE DRAWING IS THE PROPERTY OF VYNCKIER ENCLOSURE SYSTEMS LTD. AND SHALL NOT BE REPRODUCED OR TRANSMITTED IN ANY FORM OR BY ANY MEANS, ELECTRONIC OR MECHANICAL, INCLUDING PHOTOCOPYING, RECORDING, OR BY ANY INFORMATION STORAGE AND RETRIEVAL SYSTEM.