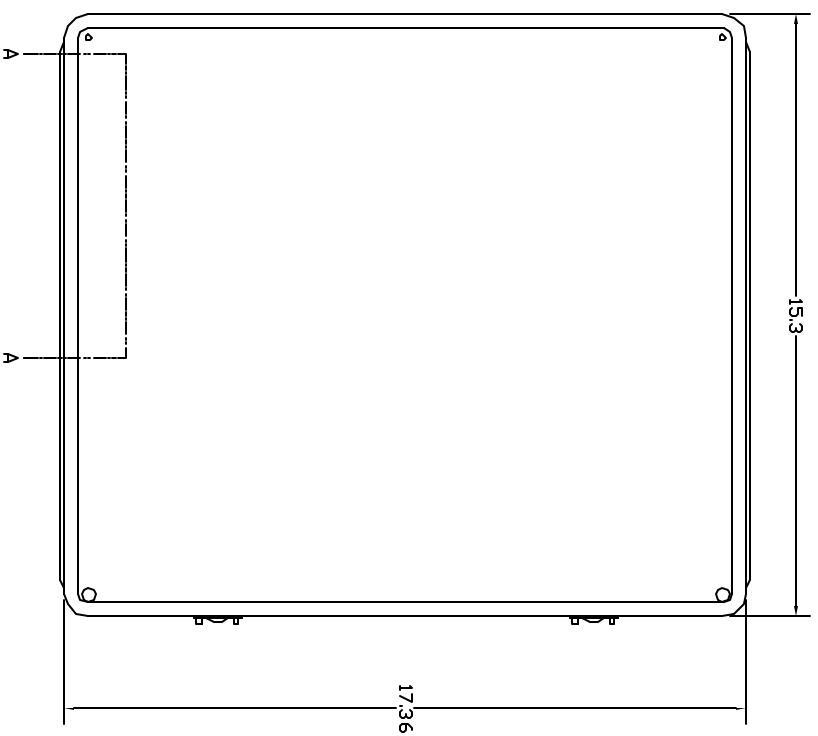
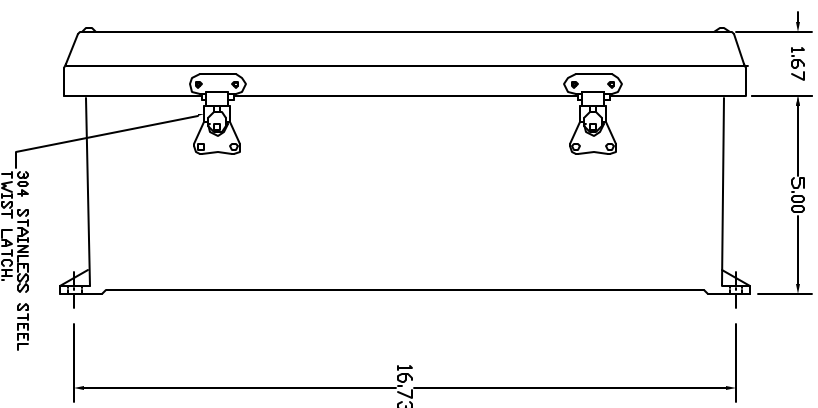


| REVISIONS | | | | |
|-----------|-----|-------------|------|----------|
| ZONE | REV | DESCRIPTION | DATE | APPROVED |
| | | | | |

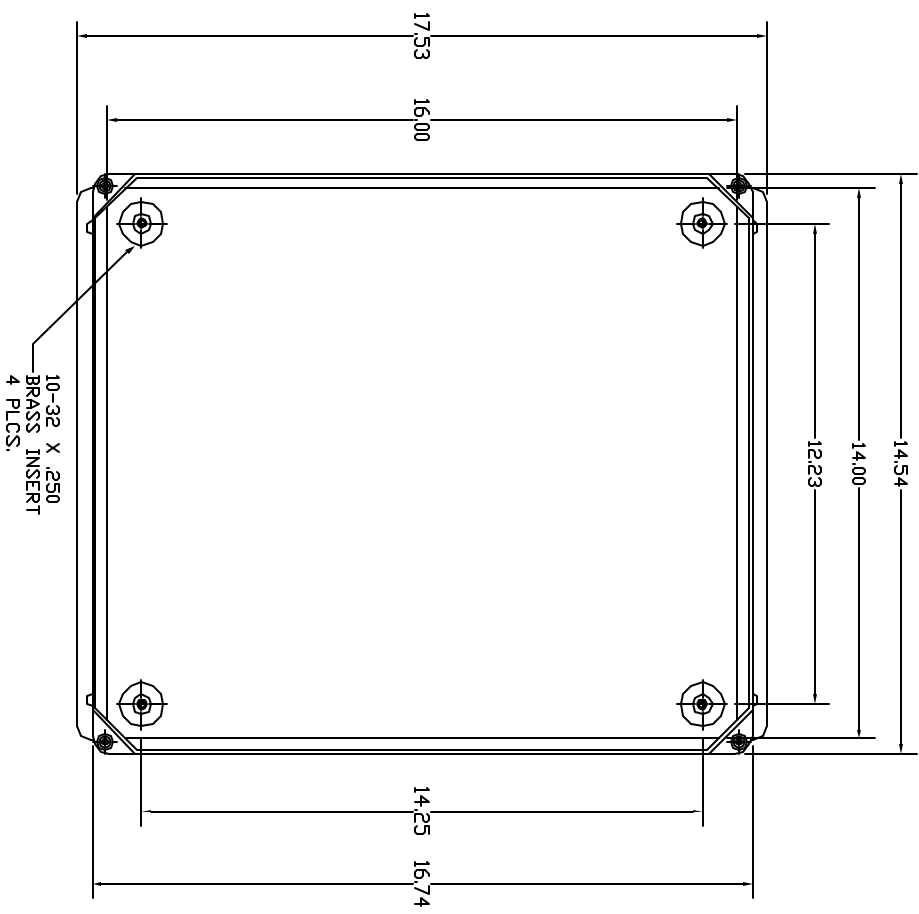
FRONT VIEW



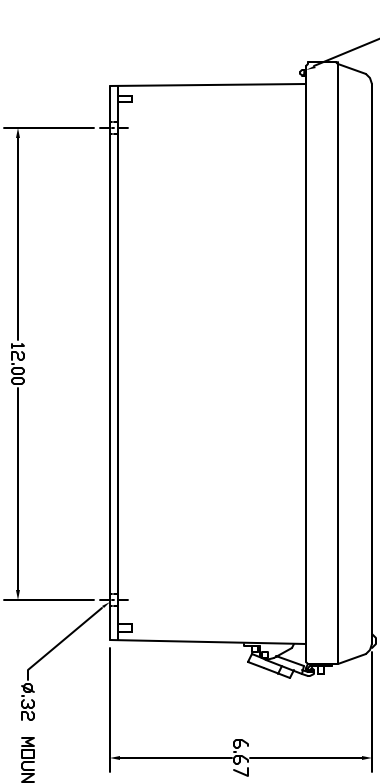
RIGHT SIDE VIEW



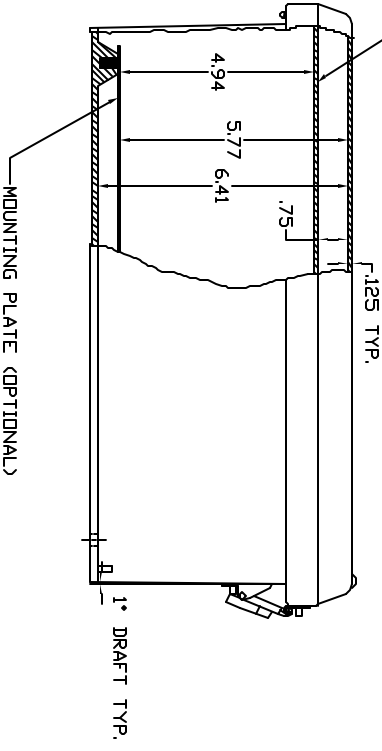
FRONT VIEW COVER REMOVED



304 STAINLESS STEEL END VIEW



HINGED FRONT PANEL (OPTIONAL)



SECTION A-A

- NOTES:
1. ENCLOSURE MATERIAL MADE OF GRAY (RAL 7036) HOT MOLDED FIBERGLASS REINFORCED POLYESTER.
 2. U.L. LISTED PER STD. 508. (FILE# E54315)
 3. CSA CERTIFIED PER STD. C22.2 NO. 94. (FILE# LR36508)
 4. NEMA RATED TYPE 3, 3R, 3S, 4, 4X, 12 AND 13.
 5. IEC 529 RATED IP 68.
 6. RESISTANT TO TEMPERATURES UP TO 150 DEG C.
 7. SELF EXTINGUISHING AND HALOGEN FREE.
 8. ACCESSORIES INCLUDE: BACK PANELS, HINGEABLE FRONT PLATES, HINGED COVERS, PRINT POCKET, LATCHES, WINDOWS, AND VENTILATORS.
 9. CABINETS ARE MAINTENANCE FREE AND CORROSION RESISTANT.
 10. BACKPANEL SIZE 14.75" X 12.88"

| | | | |
|---|--|--|----------------------------------|
| THE DRAWING IS THE PROPERTY OF VYNCKIER ENCLASURE SYSTEMS INC. IT IS TO BE USED FOR THE PROJECT AND SHALL NOT BE REPRODUCED OR TRANSMITTED IN ANY FORM OR BY ANY MEANS, ELECTRONIC OR MECHANICAL, INCLUDING PHOTOCOPYING, RECORDING, OR BY ANY INFORMATION STORAGE AND RETRIEVAL SYSTEMS. | | UNLESS OTHERWISE SPECIFIED, DIMENSIONS ARE IN INCHES AND DECIMALS THEREOF. DIMENSIONS IN PARENTHESES ARE IN MILLIMETERS. | |
| VYNCKIER ENCLASURE SYSTEMS INC. 1000 W. 10TH AVENUE SUITE 200 DENVER, CO 80202 PHONE: 303.733.1111 FAX: 303.733.1112 WWW.VYNCKIER.COM | VJ SERIES ENCLOSURE VYNCKIER PART# VJ1614HLL2 | DATE: 2/24/01 DRAWN BY: KEVIN CHAMMAN CHECKED BY: | SCALE: FULL SHEET NO.: 1 OF 1 |