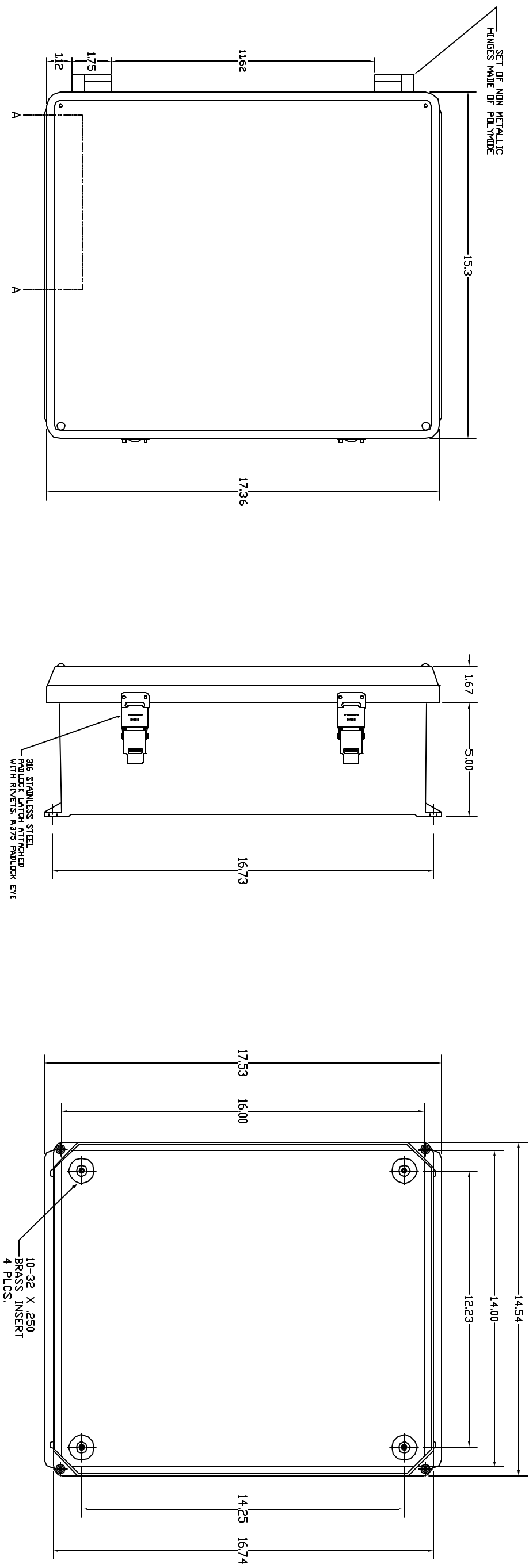


REVISIONS				
ZONE	REV	DESCRIPTION	DATE	APPROVED

FRONT VIEW COVER REMOVED

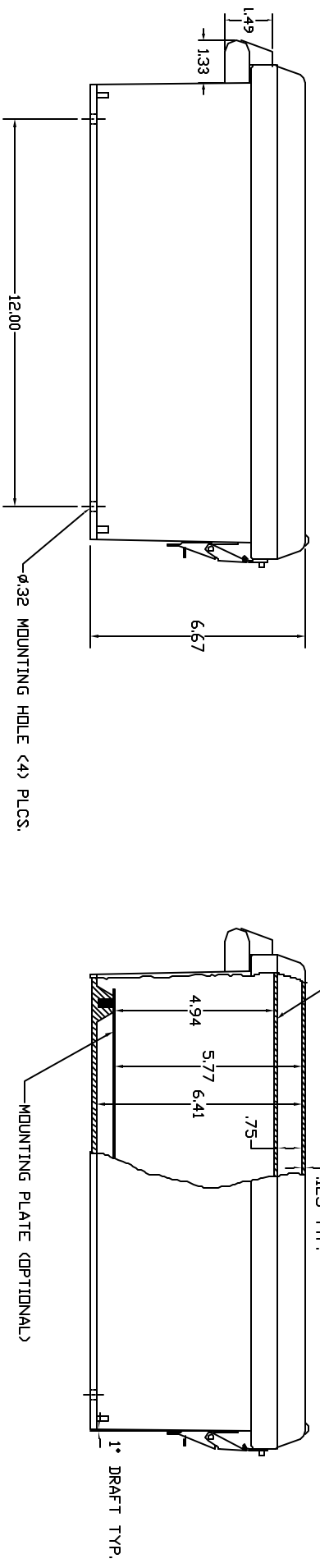


FRONT VIEW

RIGHT SIDE VIEW

END VIEW

SECTION A-A



- NOTES:
1. ENCLOSURE MATERIAL MADE OF GRAY (RAL 7036) HOT MOLDED FIBERGLASS REINFORCED POLYESTER.
 2. U.L. LISTED PER STD. 508. (FILE# E54315)
 3. CSA CERTIFIED PER STD. C22.2 NO. 94. (FILE# LR36508)
 4. NEMA RATED TYPE 3, 3R, 3S, 4, 4X, 12 AND 13.
 5. IEC 529 RATED IP 68.
 6. RESISTANT TO TEMPERATURES UP TO 150 DEG C.
 7. SELF EXTINGUISHING AND HALOGEN FREE.
 8. ACCESSORIES INCLUDE: BACK PANELS, HINGEABLE FRONT PLATES, HINGED COVERS, PRINT POCKET, LATCHES, WINDOWS, AND VENTILATORS.
 9. CABINETS ARE MAINTENANCE FREE AND CORROSION RESISTANT.
 10. BACKPANEL SIZE 14.75" X 12.88"

THE DRAWING IS THE PROPERTY OF VYNCKIER ENCLOSEURE SYSTEMS INC. IT IS TO BE USED ONLY FOR THE PROJECT AND SHALL NOT BE REPRODUCED OR TRANSMITTED IN ANY FORM OR BY ANY MEANS, ELECTRONIC OR MECHANICAL, INCLUDING PHOTOCOPYING, RECORDING, OR BY ANY INFORMATION STORAGE AND RETRIEVAL SYSTEMS INC.		THESE DIMENSIONS PREPARED BY: VYNCKIER ENCLOSEURE SYSTEMS INC. DATE: 2/2/01	
VJ SERIES ENCLOSURE VYNCKIER PART# VJ1614NHVPL2		VYNCKIER ENCLOSEURE SYSTEMS INC.	
CHECKED	DATE	SCALE	REV
DESIGNED	DATE	SCALE	REV
DRAWN	DATE	SCALE	REV
APPROVED	DATE	SCALE	REV