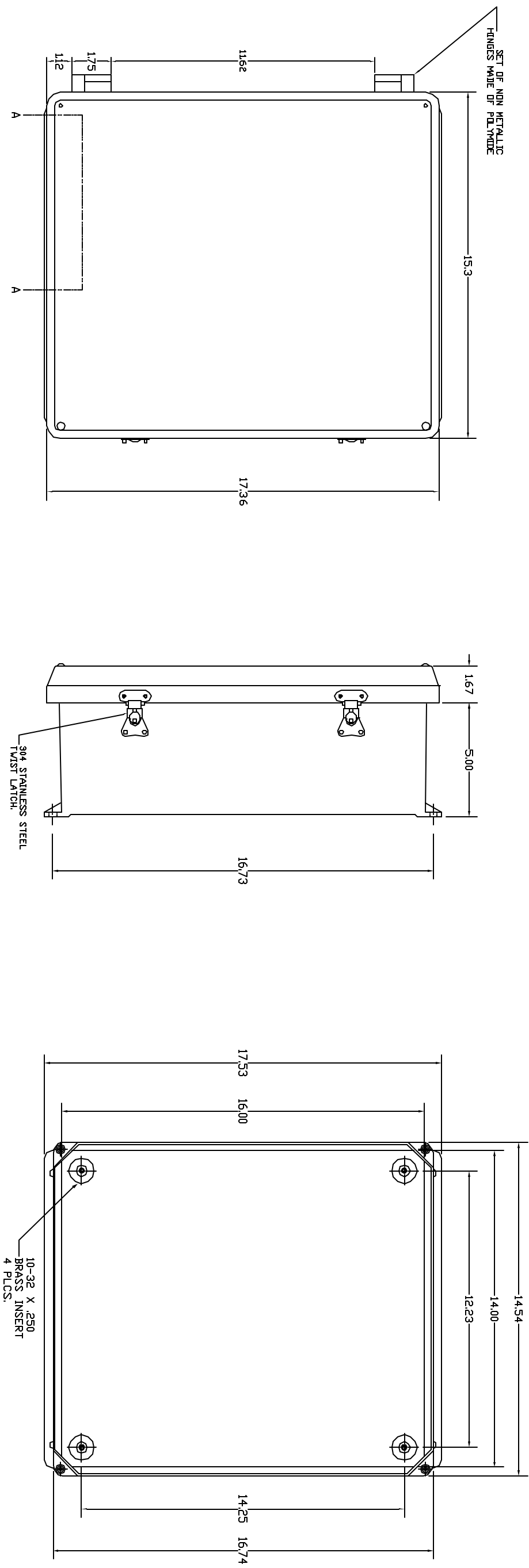
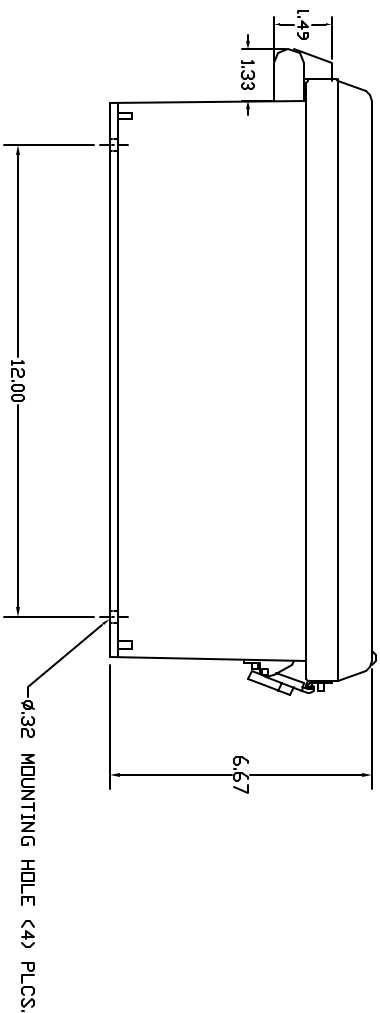


REVISIONS				
ZONE	REV	DESCRIPTION	DATE	APPROVED

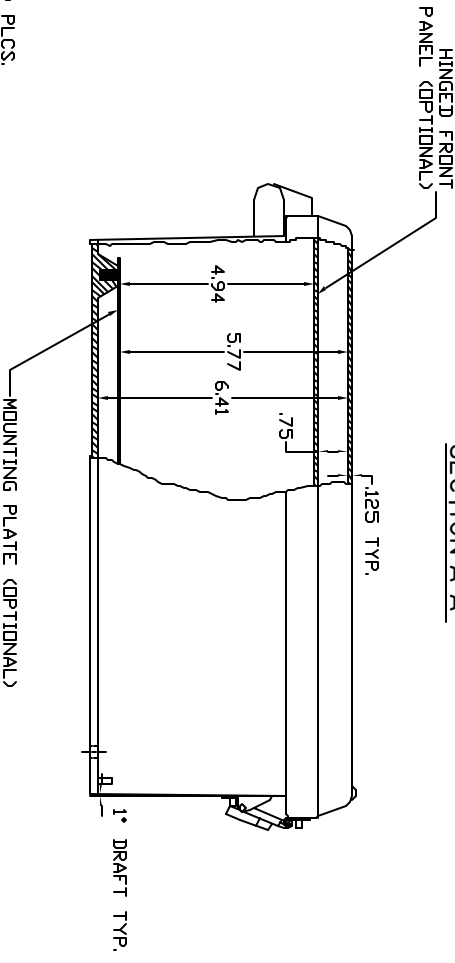
FRONT VIEW COVER REMOVED



END VIEW



SECTION A-A



- NOTES:
1. ENCLOSURE MATERIAL MADE OF GRAY (RAL 7036) HOT MOLDED FIBERGLASS REINFORCED POLYESTER.
  2. U.L. LISTED PER STD. 508, (FILE# E54315)
  3. CSA CERTIFIED PER STD. C22.2 NO. 94, (FILE# LR36508)
  4. NEMA RATED TYPE 3, 3R, 3S, 4, 4X, 12 AND 13.
  5. IEC 529 RATED IP 68.
  6. RESISTANT TO TEMPERATURES UP TO 150 DEG C.
  7. SELF EXTINGUISHING AND HALOGEN FREE.
  8. ACCESSORIES INCLUDE: BACK PANELS, HINGEABLE FRONT PLATES, HINGED COVERS, PRINT POCKET, LATCHES, WINDOWS, AND VENTILATORS.
  9. CABINETS ARE MAINTENANCE FREE AND CORROSION RESISTANT.
  10. BACKPANEL SIZE 14.75" X 12.88"

THE DRAWING IS THE PROPERTY OF VYNCKIER ENCLLOSURE SYSTEMS INC. IT IS TO BE USED ONLY FOR THE PROJECT AND SHALL NOT BE REPRODUCED OR TRANSMITTED IN ANY FORM OR BY ANY MEANS, ELECTRONIC OR MECHANICAL, INCLUDING PHOTOCOPYING, RECORDING, OR BY ANY INFORMATION STORAGE AND RETRIEVAL SYSTEMS INC.		THESE DIMENSIONS PREPARED BY VYNCKIER ENCLLOSURE SYSTEMS INC.	
DESIGNED BY KEVIN CHAMMAN	CHECKED BY DATE 2/16/01	VJ SERIES ENCLOSURE VYNCKIER PART# VJ1614NHVLL2	VYNCKIER ENCLLOSURE SYSTEMS INC. 1000 W. 10TH AVENUE SUITE 200 DENVER, CO 80202 TEL: 303.733.1111 FAX: 303.733.1112
DRAFTER DATE 3-6-01	SCALE FULL	PART NO. VJ1614NHVLL2	REV 0