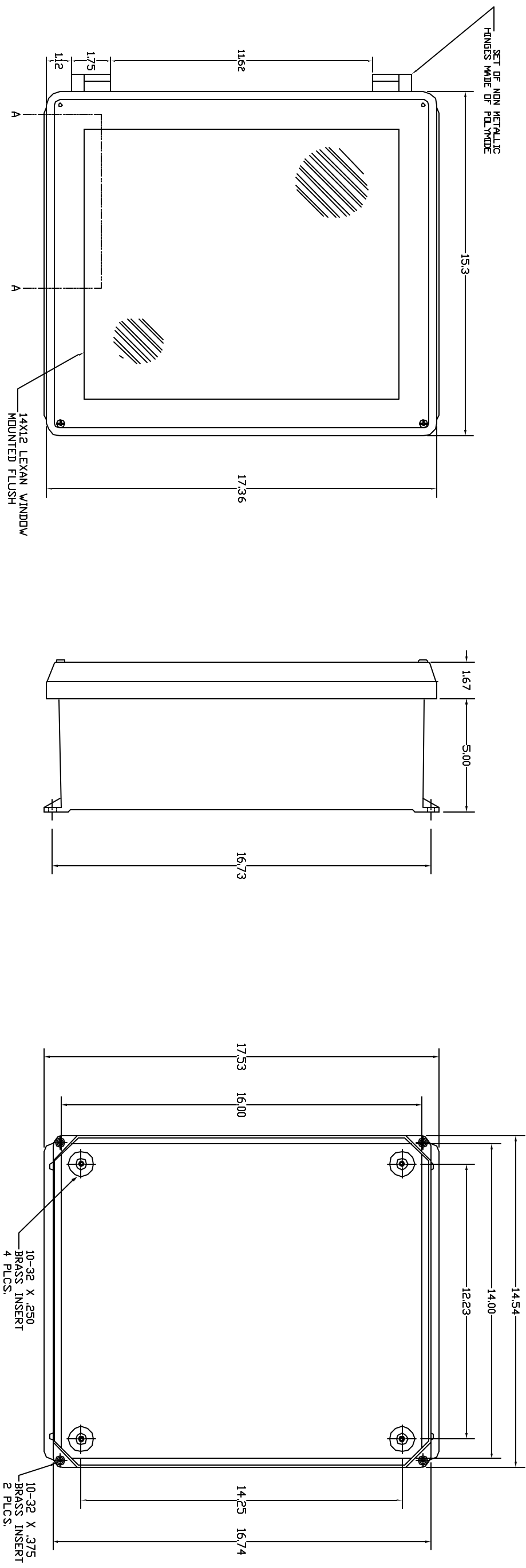


REVISIONS				
ZONE	REV	DESCRIPTION	DATE	APPROVED

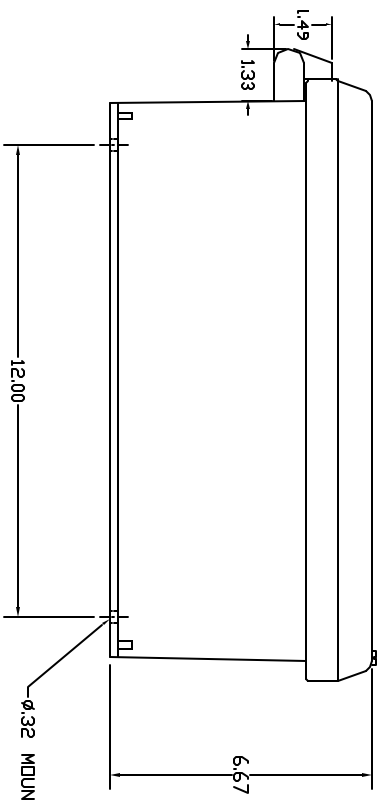
FRONT VIEW COVER REMOVED



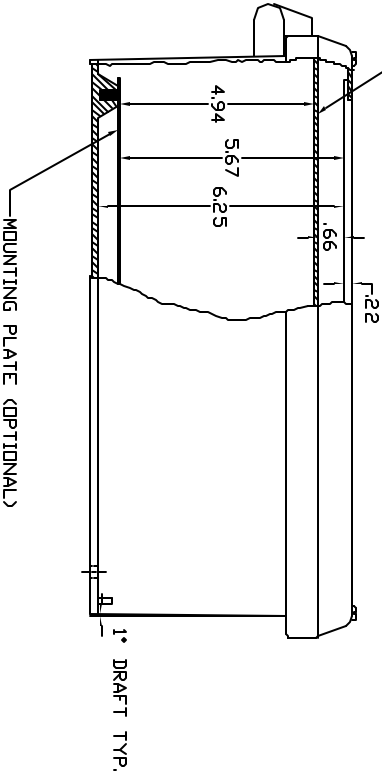
FRONT VIEW

RIGHT SIDE VIEW

END VIEW



HINGED FRONT PANEL (OPTIONAL)



SECTION A-A

- NOTES:
1. ENCLOSURE MATERIAL MADE OF GRAY (RAL 7036) HOT MOLDED FIBERGLASS REINFORCED POLYESTER.
  2. U.L. LISTED PER STD. 508, (FILE# E54315)
  3. CSA CERTIFIED PER STD. C22.2 NO. 94, (FILE# LR36508)
  4. NEMA RATED TYPE 3, 3R, 3S, 4, 4X, 12 AND 13.
  5. IEC 529 RATED IP 68.
  6. RESISTANT TO TEMPERATURES UP TO 150 DEG C.
  7. SELF EXTINGUISHING AND HALOGEN FREE.
  8. ACCESSORIES INCLUDE: BACK PANELS, HINGEABLE FRONT PLATES, HINGED COVERS, PRINT POCKET, LATCHES, WINDOWS, AND VENTILATORS.
  9. CABINETS ARE MAINTENANCE FREE AND CORROSION RESISTANT.
  10. BACKPANEL SIZE 14.75" X 12.88"

THE DRAWING IS THE PROPERTY OF VYNCKIER ENCLOSURE SYSTEMS INC. IT IS TO BE USED FOR THE PROJECT AND SHALL NOT BE REPRODUCED OR TRANSMITTED IN ANY FORM OR BY ANY MEANS, ELECTRONIC OR MECHANICAL, INCLUDING PHOTOCOPYING, RECORDING, OR BY ANY INFORMATION STORAGE AND RETRIEVAL SYSTEMS INC.		THESE DIMENSIONS PREPARED BY: VYNCKIER ENCLOSURE SYSTEMS INC. DATE: 2/2/01		VYNCKIER ENCLOSURE SYSTEMS INC. VJ SERIES ENCLOSURE VYNCKIER PART# VJBI6141NHV	
CHECKED	DATE	SCALE	REV	DATE	REV
0		1:1	0		0