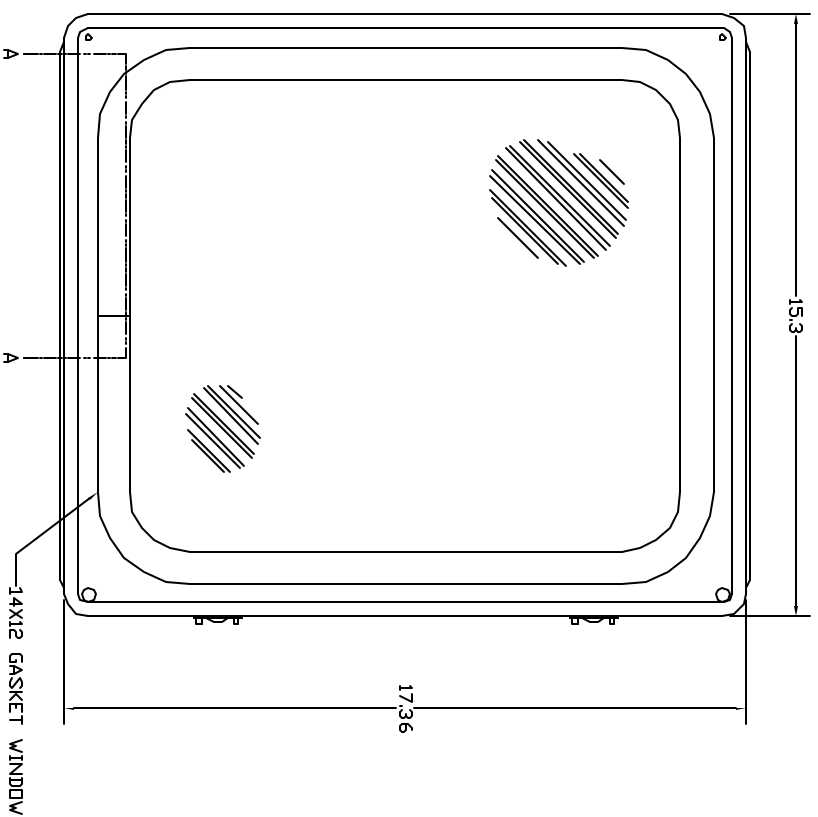
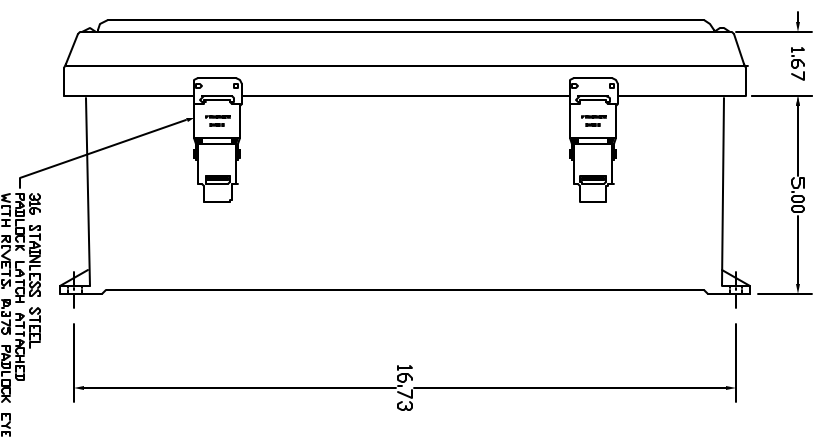


REVISIONS				
ZONE	REV	DESCRIPTION	DATE	APPROVED

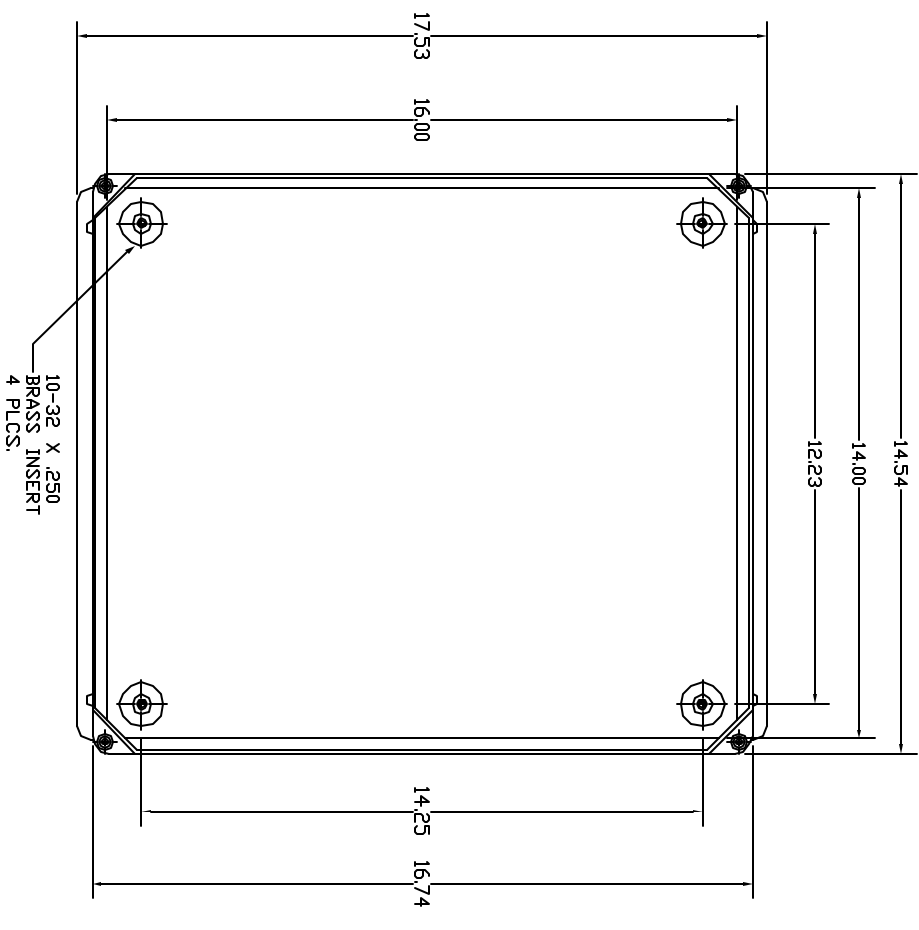
FRONT VIEW



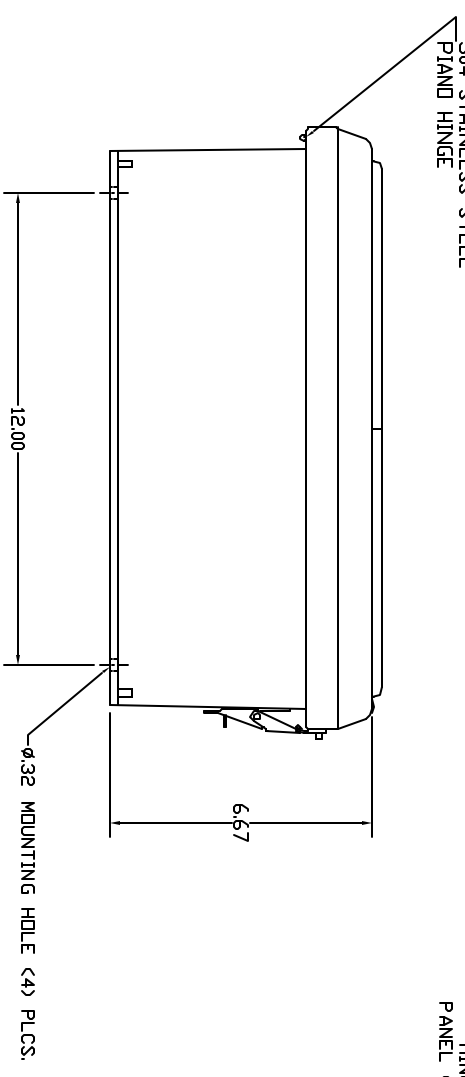
RIGHT SIDE VIEW



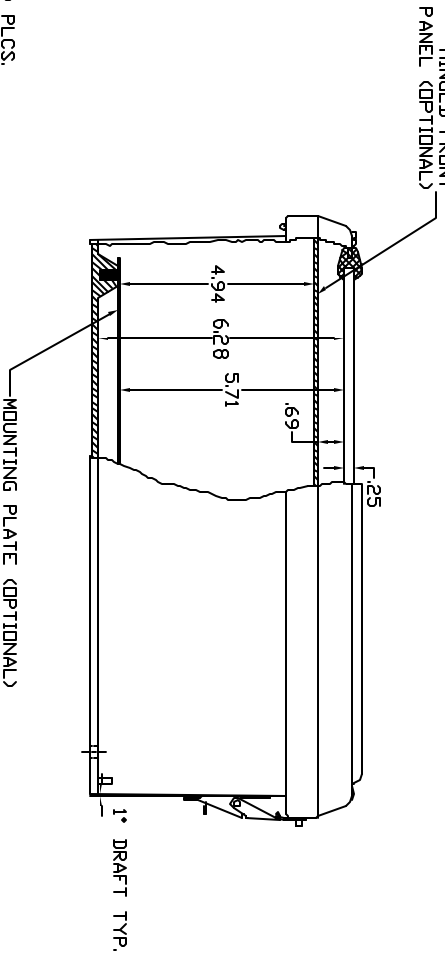
FRONT VIEW COVER REMOVED



END VIEW



SECTION A-A



- NOTES:
1. ENCLOSURE MATERIAL MADE OF GRAY (RAL 7036) HOT MOLDED FIBERGLASS REINFORCED POLYESTER.
  2. U.L. LISTED PER STD. 508. (FILE# E54315)
  3. CSA CERTIFIED PER STD. C22.2 NO. 94. (FILE# LR36508)
  4. NEMA RATED TYPE 3, 3R, 3S, 4, 4X, 12 AND 13.
  5. IEC 529 RATED IP 68.
  6. RESISTANT TO TEMPERATURES UP TO 150 DEG C.
  7. SELF EXTINGUISHING AND HALOGEN FREE.
  8. ACCESSORIES INCLUDE: BACK PANELS, HINGEABLE FRONT PLATES, HINGED COVERS, PRINT POCKET, LATCHES, WINDOWS, AND VENTILATORS.
  9. CABINETS ARE MAINTENANCE FREE AND CORROSION RESISTANT.
  10. BACKPANEL SIZE 14.75" X 12.88"

UNLESS OTHERWISE SPECIFIED, ALL DIMENSIONS ARE IN MILLIMETERS. DIMENSIONS IN PARENTHESES ARE IN INCHES. DIMENSIONS IN PARENTHESES TAKE PRECEDENCE OVER DIMENSIONS IN MILLIMETERS.

DESIGNED BY: KEVIN CHAMMAN  
 CHECKED BY: KEVIN CHAMMAN  
 DATE: 2/16/01

DATE	2/16/01	SCALE	1:1
DESIGNED BY	KEVIN CHAMMAN	CHECKED BY	KEVIN CHAMMAN
DATE	2/16/01	SCALE	1:1
DESCRIPTION	VJ SERIES ENCLOSURE VYNCKIER PART# VJG1614HWPL2		
DATE	2/16/01	SCALE	1:1
DESCRIPTION	VYNCKIER PART# VJG1614HWPL2		

VYNCKIER  
ENCLOSURE SYSTEMS INC.