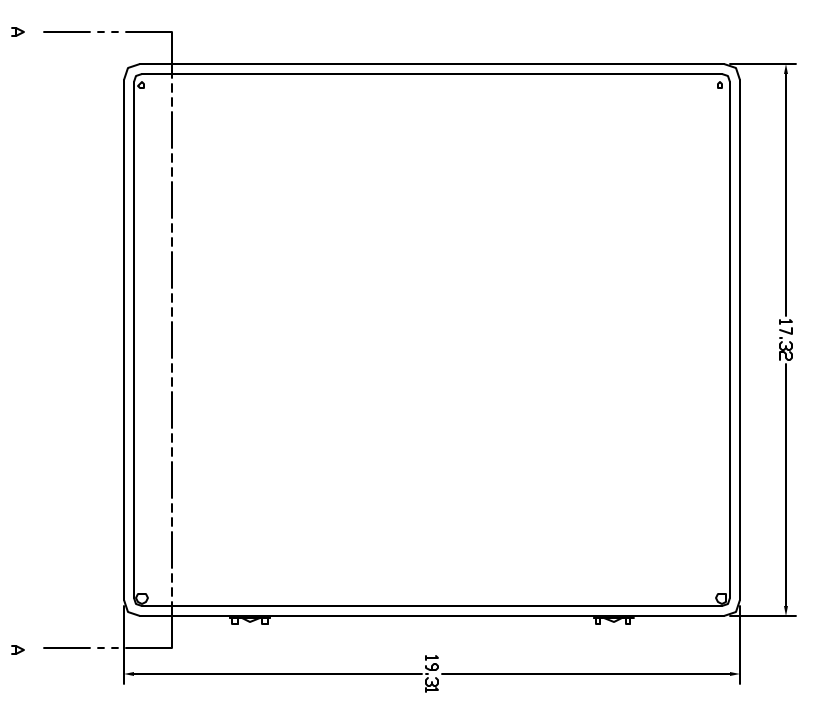
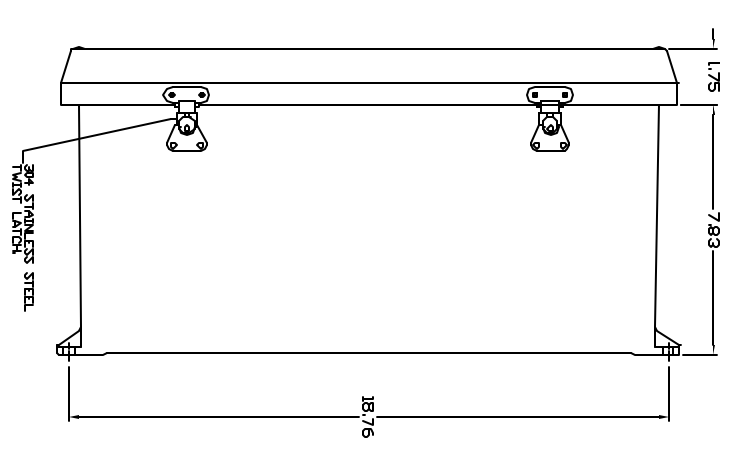


REVISIONS				
ZONE	REV	DESCRIPTION	DATE	APPROVED

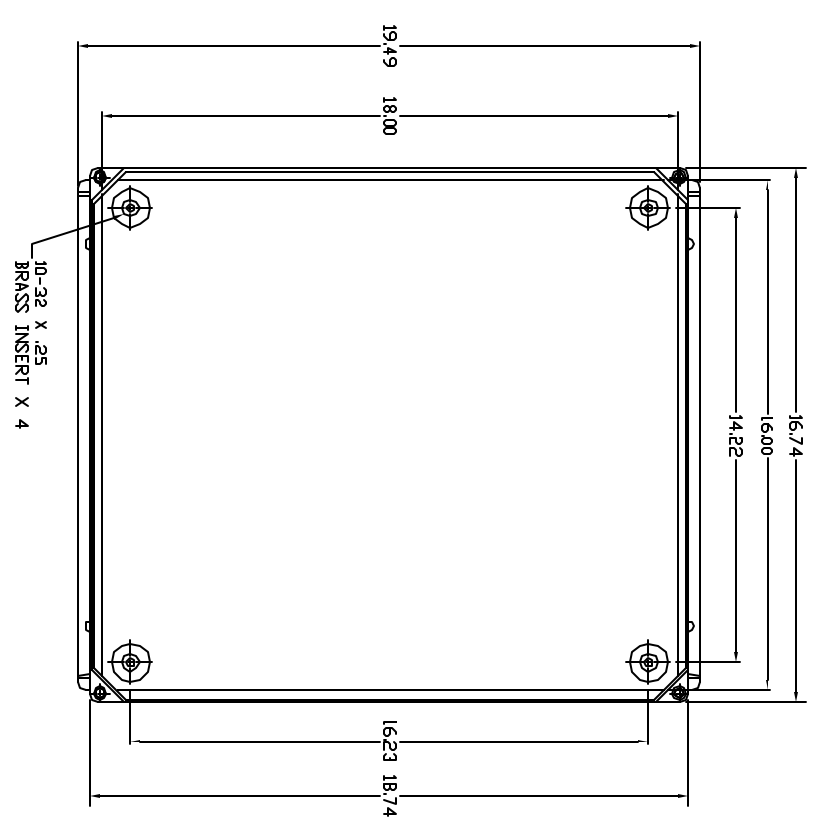
FRONT VIEW



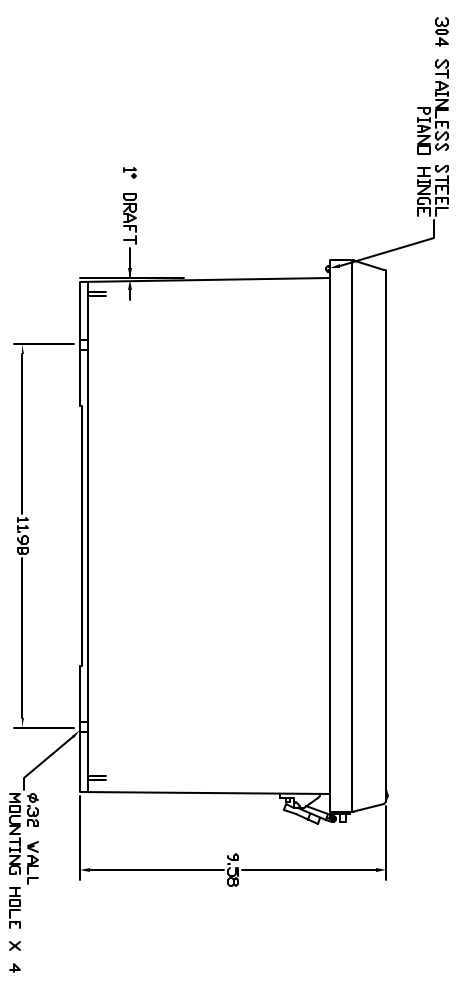
RIGHT SIDE VIEW



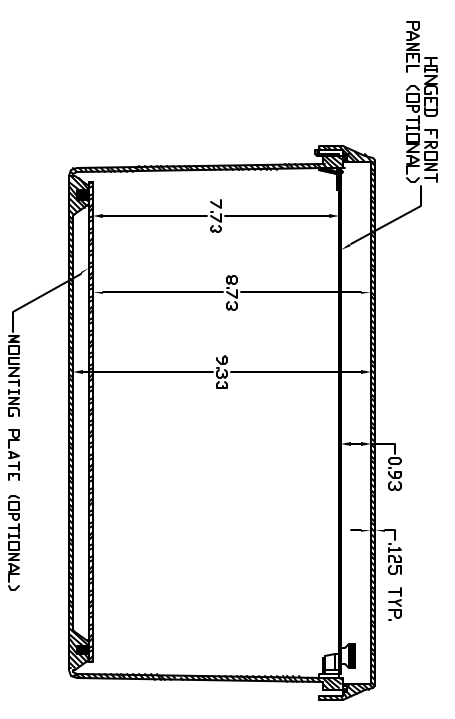
FRONT VIEW-COVER REMOVED



END VIEW



SECTION A-A



- NOTES:**
1. ENCLOSURE MATERIAL MADE OF GRAY (RAL 7036) HOT MOLDED FIBERGLASS REINFORCED POLYESTER.
 2. U.L. LISTED PER STD. 508. (FILE# E54315)
 3. CSA CERTIFIED PER STD. C222 ND. 94. (FILE# LR36508)
 4. NEMA RATED TYPE 3, 3R, 3S, 4, 4X, 12 AND 13.
 5. IEC 529 RATED IP 68.
 6. TEMPERATURE RANGES FROM -50 DEG C TO 150 DEG C.
 7. SELF EXTINGUISHING AND HALOGEN FREE.
 8. ACCESSORIES INCLUDE: BACK PANELS, DEAD FRONT PANELS, HINGED FRONT PLATES, HINGED COVERS, PRINT POCKETS, LATCHES, WINDOWS, AND VENTILATORS.
 9. CABINETS ARE MAINTENANCE FREE AND CORROSION RESISTANT.

UNLESS OTHERWISE SPECIFIED, DIMENSIONS ARE IN INCHES			
TOLERANCES		VYNCKIER PART # VJ1816HWLL2	
.100 ± .012	1.000 ± .005	SIZE	F32M N.D.
.001 ± .000	DO NOT SCALE DRAWING	DWG NO.	VJ1816HWLL2
DATE	2/7/01	SCALE	FULL SHEET
DRAWN	KETH CHAPMAN	REV	0
CHECKED		DESIGN	

THE DRAWING IS THE PROPERTY OF VYNCKIER ENCLOSURE SYSTEMS INC. IT IS TO BE USED ONLY FOR THE PROJECT AND FOR THE QUANTITY SPECIFIED THEREON. IT IS TO BE RETURNED TO VYNCKIER ENCLOSURE SYSTEMS INC. UPON COMPLETION OF THE PROJECT.