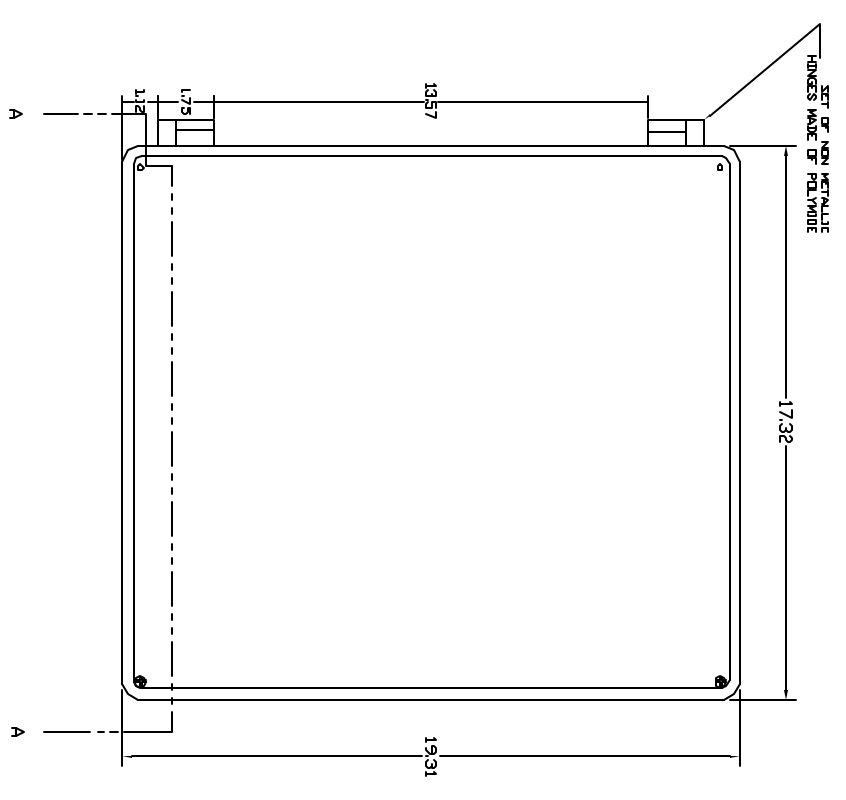
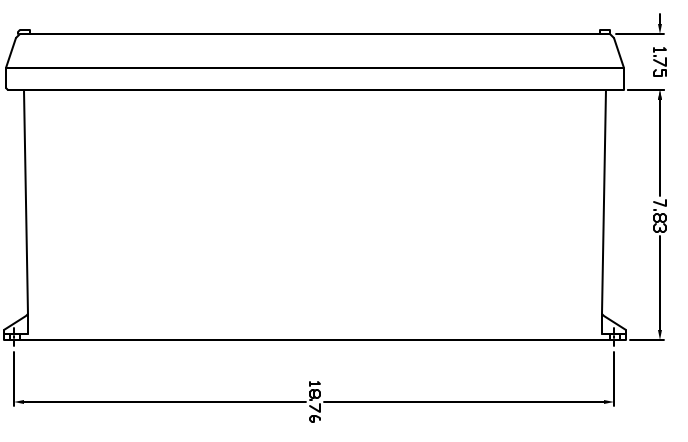


REVISIONS				
ZONE	REV	DESCRIPTION	DATE	APPROVED

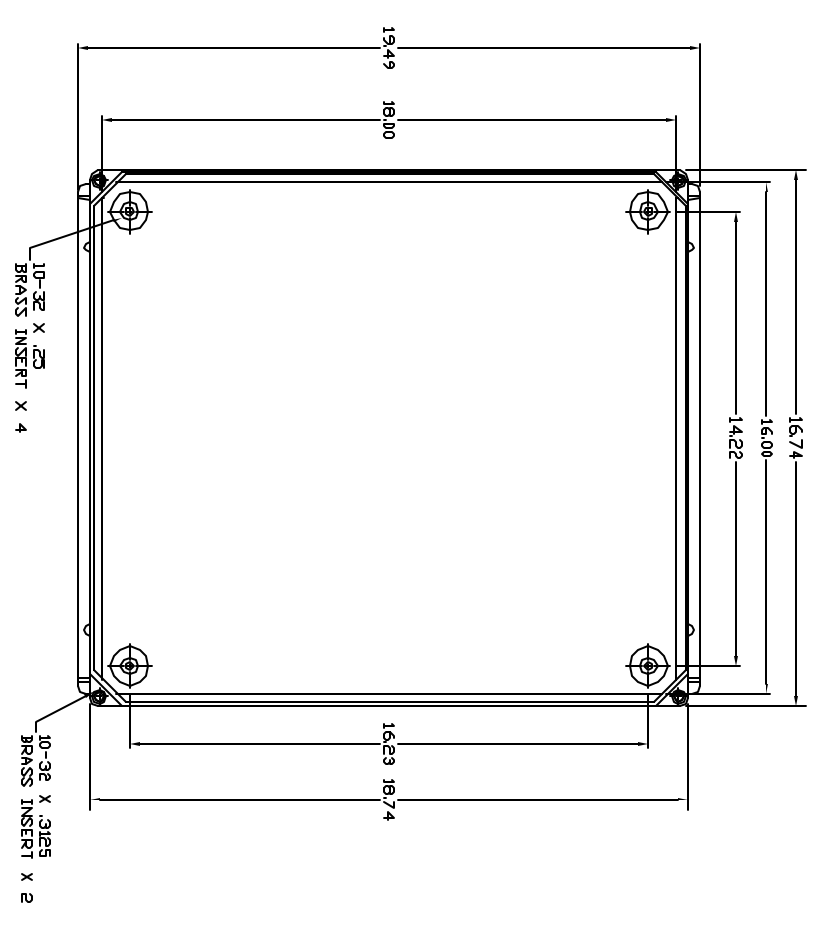
FRONT VIEW



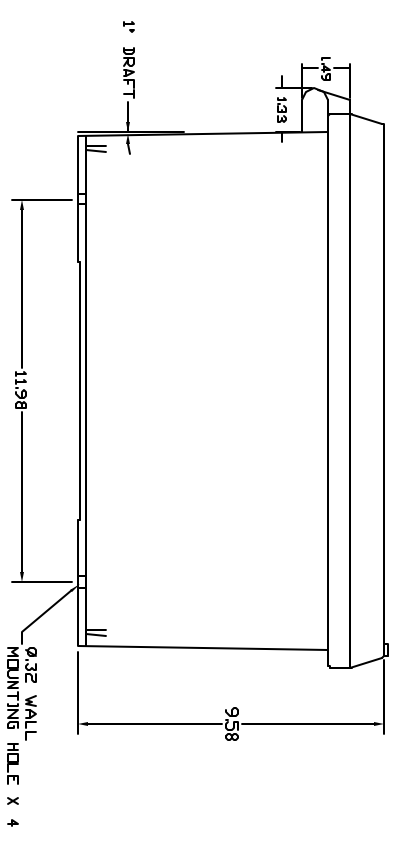
RIGHT SIDE VIEW



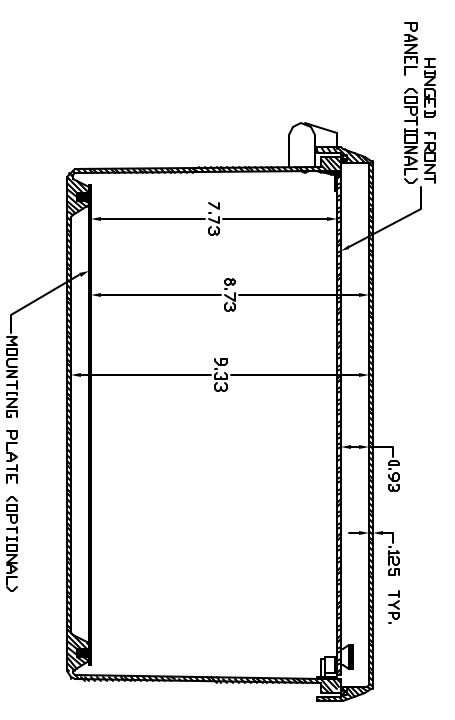
FRONT VIEW-COVER REMOVED



END VIEW



SECTION A-A



- NOTES:**
1. ENCLOSURE MATERIAL MADE OF GRAY (RAL 7036) HOT MOLDED FIBERGLASS REINFORCED POLYESTER.
 2. UL LISTED PER STD. 508, (FILE# E54315)
 3. CSA CERTIFIED PER STD. C222 ND. 94, (FILE# LR36508)
 4. NEMA RATED TYPE 3, 3R, 3S, 4, 4X, 12 AND 13.
 5. IEC 529 RATED IP 68.
 6. TEMPERATURE RANGES FROM -50 DEG C TO 150 DEG C.
 7. SELF EXTINGUISHING AND HALOGEN FREE.
 8. ACCESSORIES INCLUDE: BACK PANELS, DEAD FRONT PANELS, HINGED FRONT PLATES, HINGED COVERS, PRINT POCKETS, LATCHES, WINDOWS, AND VENTILATORS.
 9. CABINETS ARE MAINTENANCE FREE AND CORROSION RESISTANT.

UNLESS OTHERWISE SPECIFIED DIMENSIONS ARE IN INCHES		VYNCKIER ENCLOSURE SYSTEMS INC.	
DRAWN KATHI CHAPMAN DATE 2/18/01	CHECKED DESIGN	VYNCKIER PART# VJ1816NHV DWG NO. VJ1816NHV	REV 0
THE DRAWING IS THE ORIGINAL AND ANY REVISIONS OR CHANGES TO DIMENSIONS SHALL BE INDICATED BY A REVISION TABLE.		SIZE FROM NO. D SCALE FULL	SHEET