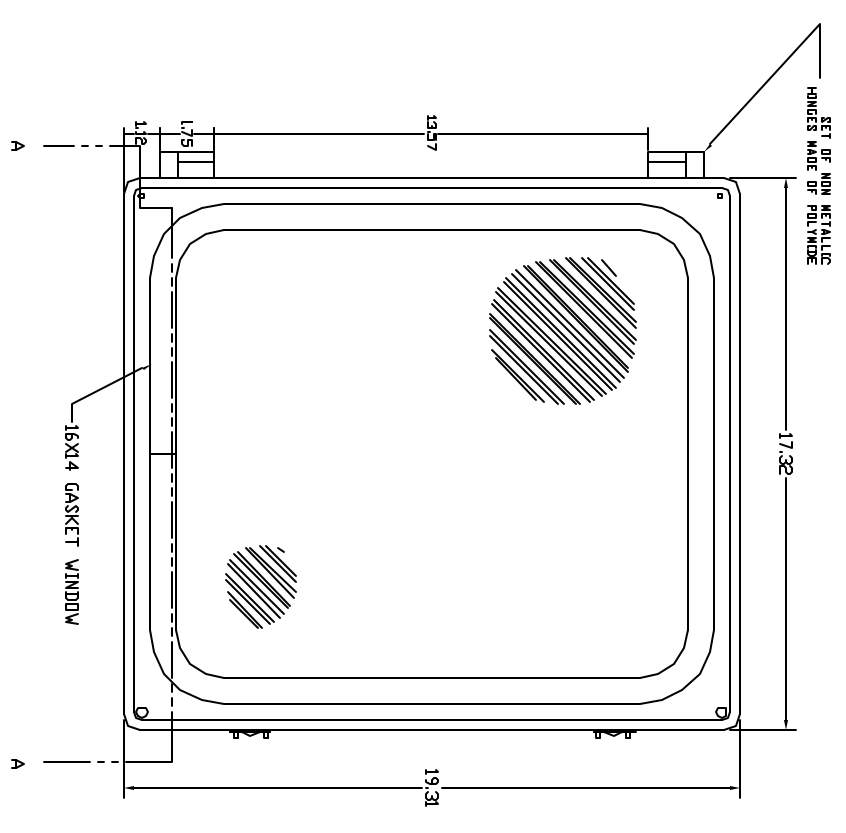
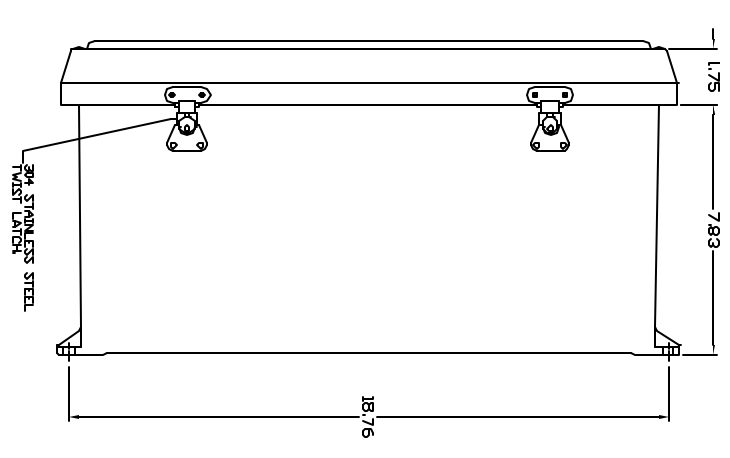


REVISIONS				
ZONE	REV	DESCRIPTION	DATE	APPROVED

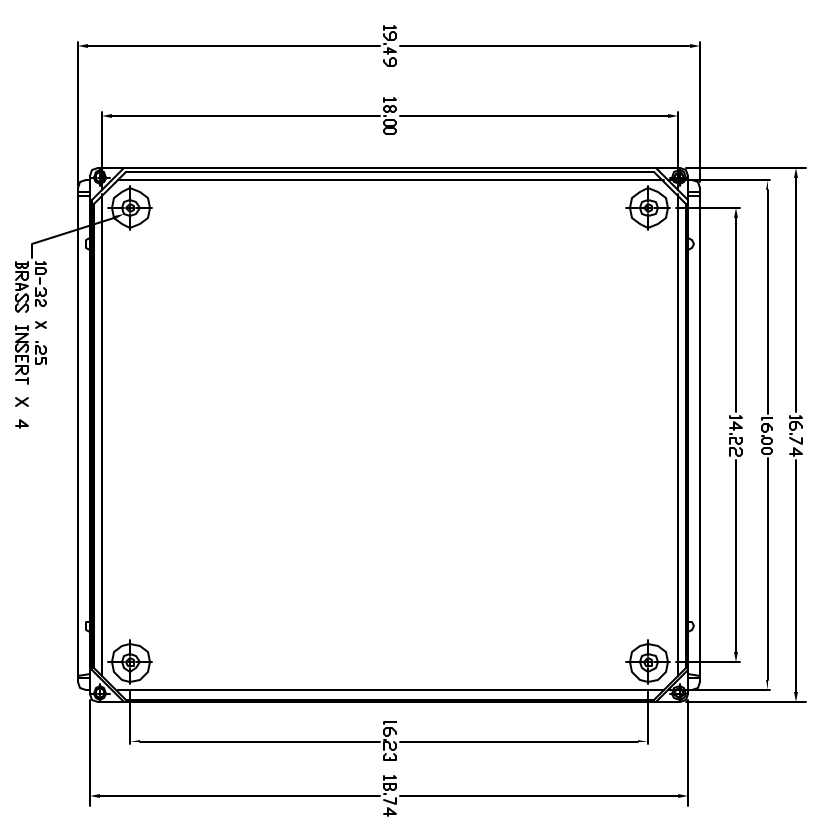
**FRONT VIEW**



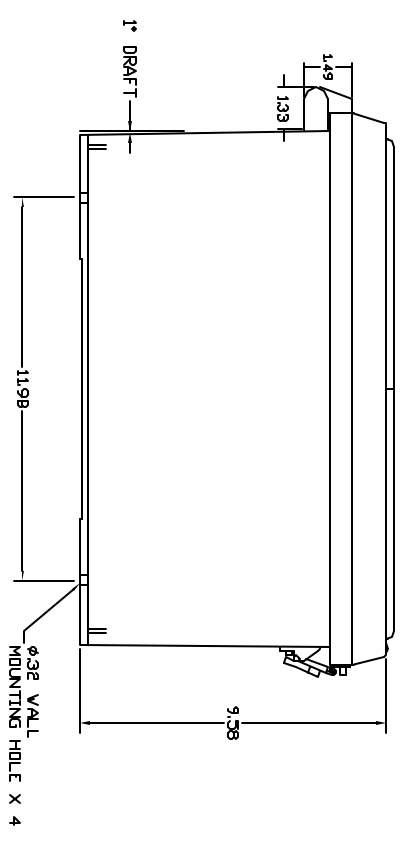
**RIGHT SIDE VIEW**



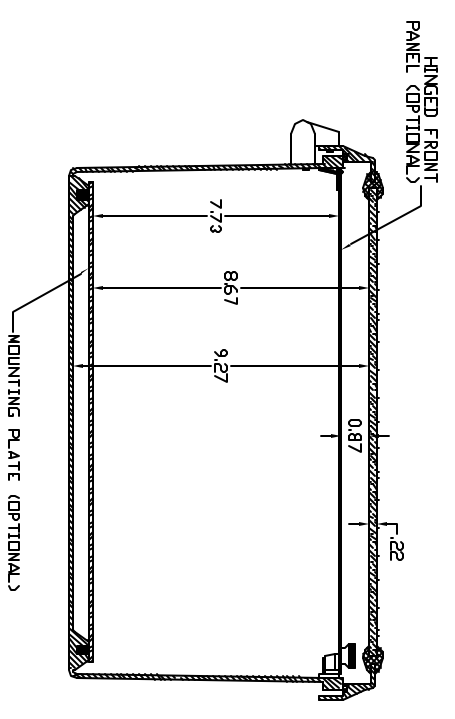
**FRONT VIEW-COVER REMOVED**



**END VIEW**



**SECTION A-A**



- NOTES:**
1. ENCLOSURE MATERIAL MADE OF GRAY (RAL 7036) HOT MOLDED FIBERGLASS REINFORCED POLYESTER.
  2. U.L. LISTED PER STD. 508. (FILE# E54315)
  3. CSA CERTIFIED PER STD. C222 ND. 94. (FILE# LR36508)
  4. NEMA RATED TYPE 3, 3R, 3S, 4, 4X, 12 AND 13.
  5. IEC 529 RATED IP 68.
  6. TEMPERATURE RANGES FROM -50 DEG C TO 150 DEG C.
  7. SELF EXTINGUISHING AND HALOGEN FREE.
  8. ACCESSORIES INCLUDE: BACK PANELS, DEAD FRONT PANELS, HINGED FRONT PLATES, HINGED COVERS, PRINT POCKETS, LATCHES, WINDOWS, AND VENTILATORS.
  9. CABINETS ARE MAINTENANCE FREE AND CORROSION RESISTANT.

UNLESS OTHERWISE SPECIFIED: DIMENSIONS ARE IN INCHES DECIMAL TOLERANCES .XX ± .012 .XXX ± .005 DO NOT SCALE DRAWING		DRAWN KEITH CHAPMAN		DATE 2/7/01	
VYNCKIER PART# VJG1816NHVLL2		SIZE D		REV 0	
VYNCKIER ENCLOSURE SYSTEMS INC.		DWG NO. VJG1816NHVLL2		SHEET 1	

THE DRAWING IS THE PROPERTY OF VYNCKIER INC. IT IS TO BE USED FOR THE PROJECT AND FOR THE PROJECT ONLY. IT IS NOT TO BE REPRODUCED OR TRANSMITTED IN ANY FORM OR BY ANY MEANS, ELECTRONIC OR MECHANICAL, INCLUDING PHOTOCOPYING, RECORDING, OR BY ANY INFORMATION STORAGE AND RETRIEVAL SYSTEM.