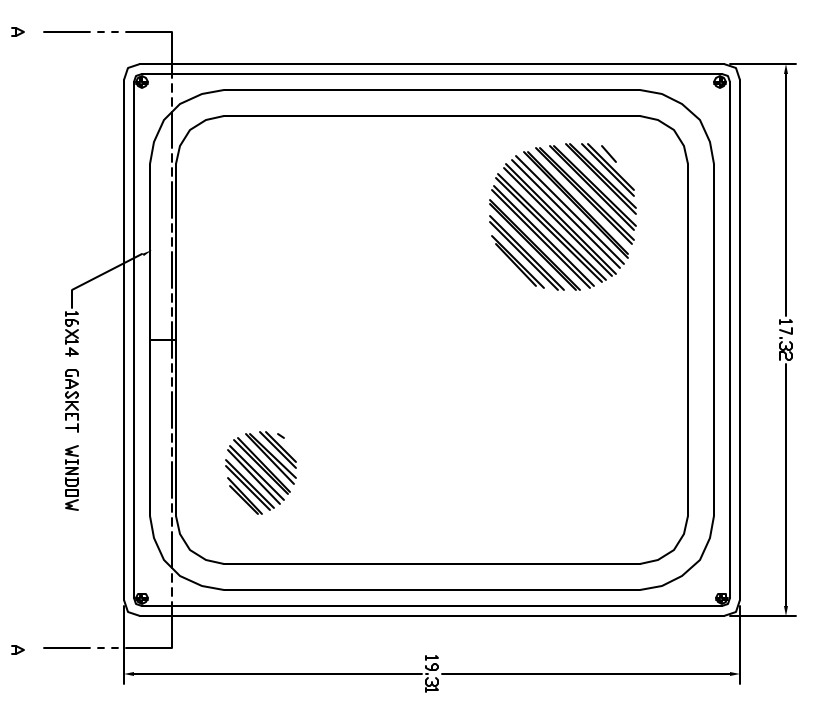
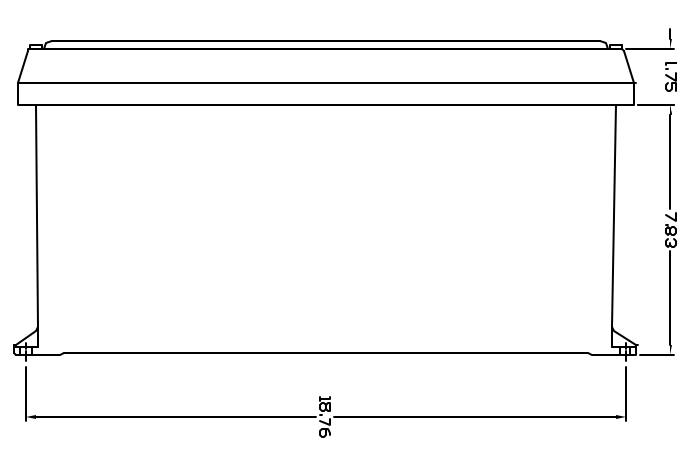


REVISIONS				
ZONE	REV	DESCRIPTION	DATE	APPROVED

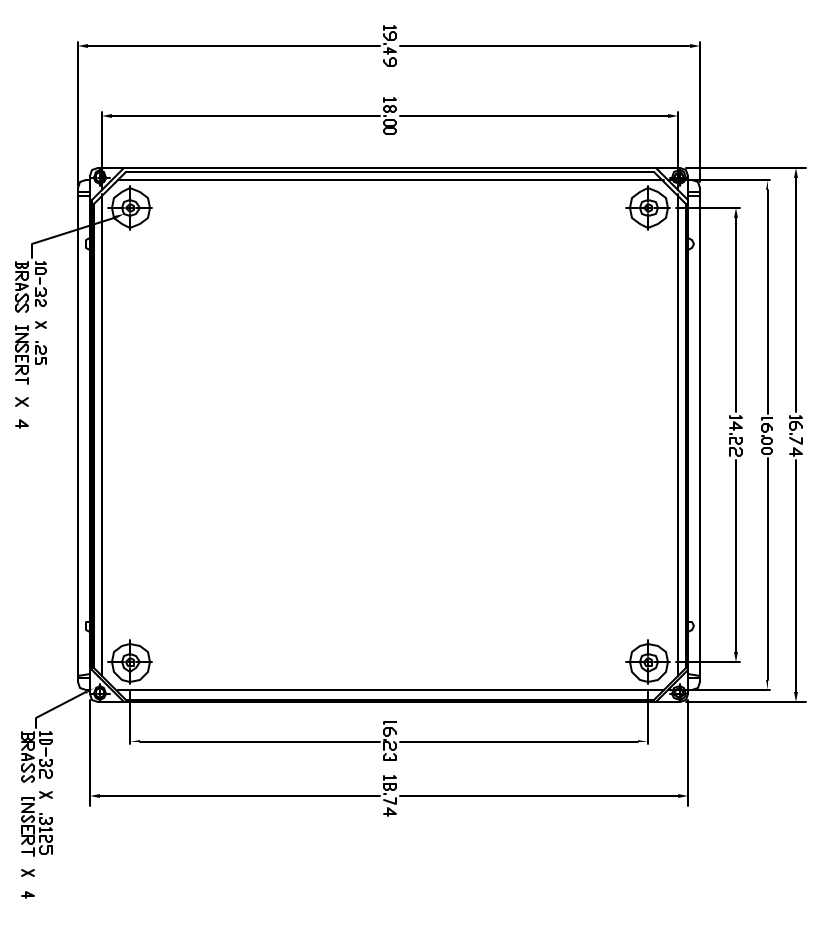
FRONT VIEW



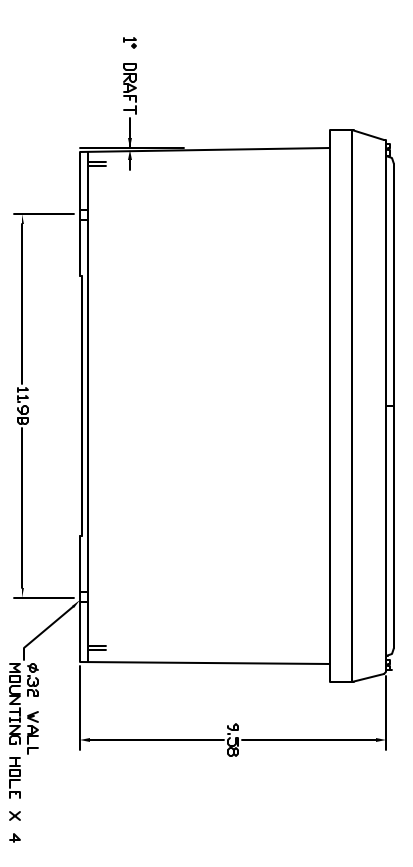
RIGHT SIDE VIEW



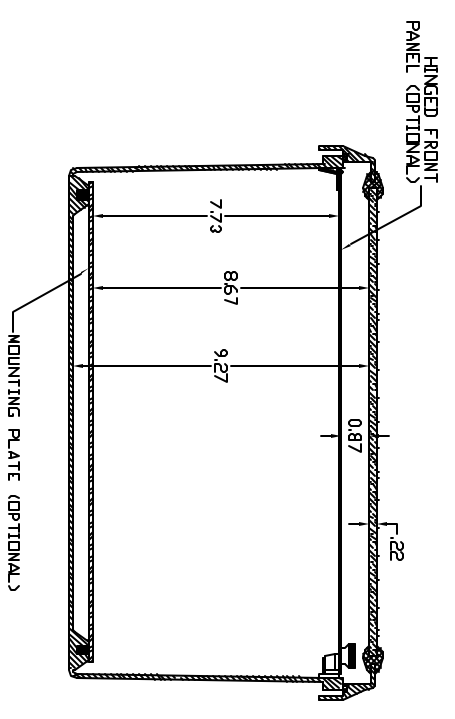
FRONT VIEW-COVER REMOVED



END VIEW



SECTION A-A



- NOTES:**
1. ENCLOSURE MATERIAL MADE OF GRAY (RAL 7036) HOT MOLDED FIBERGLASS REINFORCED POLYESTER.
  2. U.L. LISTED PER STD. 508. (FILE# E54315)
  3. CSA CERTIFIED PER STD. C222 ND. 94. (FILE# LR36508)
  4. NEMA RATED TYPE 3, 3R, 3S, 4, 4X, 12 AND 13.
  5. IEC 529 RATED IP 68.
  6. TEMPERATURE RANGES FROM -50 DEG C. TO 150 DEG C.
  7. SELF EXTINGUISHING AND HALOGEN FREE.
  8. ACCESSORIES INCLUDE: BACK PANELS, DEAD FRONT PANELS, HINGED FRONT PLATES, HINGED COVERS, PRINT POCKETS, LATCHES, WINDOWS, AND VENTILATORS.
  9. CABINETS ARE MAINTENANCE FREE AND CORROSION RESISTANT.

UNLESS OTHERWISE SPECIFIED: DIMENSIONS ARE IN INCHES DECIMAL TOLERANCES .XX ± .012 .XXX ± .005 DO NOT SCALE DRAWING		DRAWN KEITH CHAPMAN		DATE 2/7/01	
VYNCKER PART# VJG1816W		SIZE D		REV 0	
VYNCKER ENCLOSURE SYSTEMS INC.		DWG NO. VJG1816W		SHEET 1	

THE DRAWING IS THE PROPERTY OF VYNCKER ENCLOSURE SYSTEMS INC. IT IS TO BE USED ONLY FOR THE PROJECT AND FOR THE QUANTITY SPECIFIED THEREON. IT IS NOT TO BE REPRODUCED OR COPIED IN ANY MANNER WITHOUT PERMISSION FROM VYNCKER ENCLOSURE SYSTEMS INC.