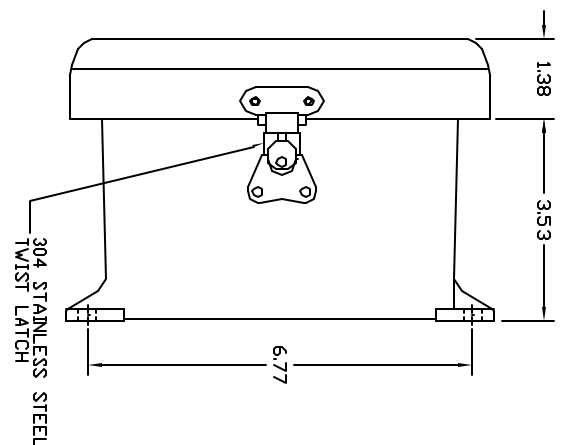
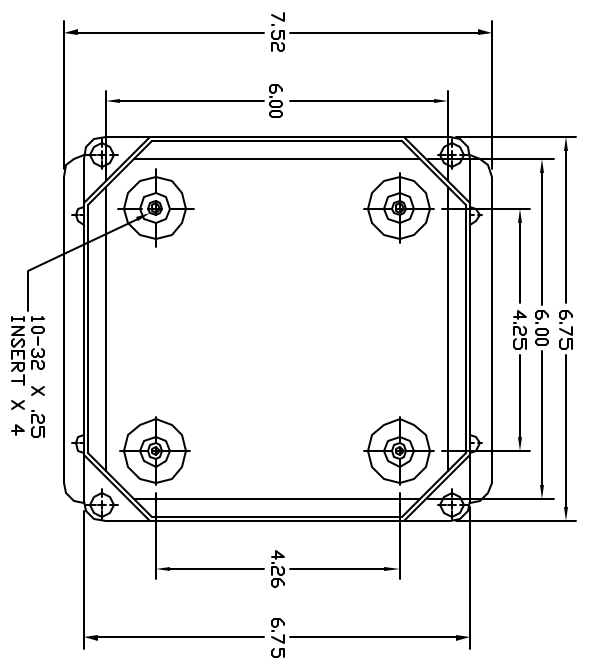


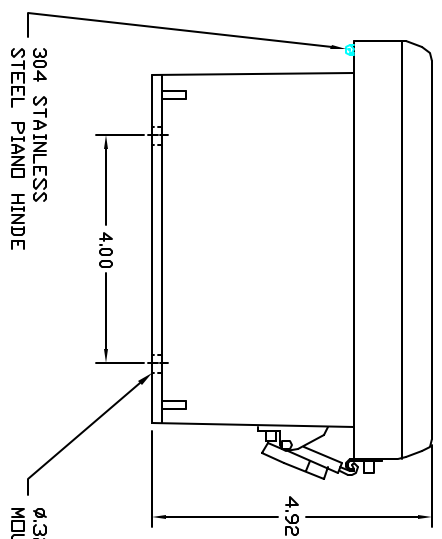
FRONT VIEW



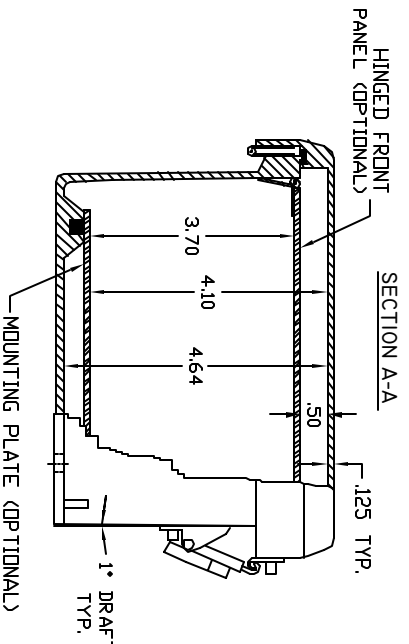
RIGHT SIDE VIEW



FRONT VIEW COVER REMOVED



END VIEW



SECTION A-A

- NOTES:**
1. ENCLOSURE MATERIAL MADE OF GRAY (RAL 7036) HOT MOLDED FIBERGLASS REINFORCED POLYESTER.
 2. U.L. LISTED PER STD. 508. (FILE# E34313)
 3. CSA CERTIFIED PER STD. C22.2 NO. 94. (FILE# LR36508)
 4. NEMA RATED TYPE 3, 3R, 3S, 4, 4X, 12 AND 13.
 5. IEC 529 RATED IP 66.
 6. TEMPERATURE RANGES FROM -50 DEG C TO 150 DEG C.
 7. SELF EXTINGUISHING AND HALOGEN FREE.
 8. ACCESSORIES INCLUDE: BACK PANELS, DEAD FRONT PANELS, HINGED FRONT PLATES, HINGED COVERS, PRINT POCKETS, LATCHES, WINDOWS, AND VENTILATORS.
 9. CABINETS ARE MAINTENANCE FREE AND CORROSION RESISTANT.

VANCE SYSTEMS GROUP DIMENSIONS ARE IN INCHES TOLERANCES UNLESS OTHERWISE SPECIFIED .005 ±.010 .010 ±.015 .015 ±.020 .020 ±.025 .030 ±.035 .040 ±.045 .050 ±.055 .060 ±.065 .070 ±.075 .080 ±.085 .090 ±.095 .100 ±.105 .125 ±.130 .150 ±.155 .175 ±.180 .200 ±.205 .250 ±.255 .300 ±.305 .375 ±.380 .450 ±.455 .500 ±.505 .625 ±.630 .750 ±.755 .875 ±.880 1.000 ±.1005 1.125 ±.1130 1.250 ±.1255 1.375 ±.1380 1.500 ±.1505 1.625 ±.1630 1.750 ±.1755 1.875 ±.1880 2.000 ±.2005 2.125 ±.2130 2.250 ±.2255 2.375 ±.2380 2.500 ±.2505 2.625 ±.2630 2.750 ±.2755 2.875 ±.2880 3.000 ±.3005 3.125 ±.3130 3.250 ±.3255 3.375 ±.3380 3.500 ±.3505 3.625 ±.3630 3.750 ±.3755 3.875 ±.3880 4.000 ±.4005 4.125 ±.4130 4.250 ±.4255 4.375 ±.4380 4.500 ±.4505 4.625 ±.4630 4.750 ±.4755 4.875 ±.4880 5.000 ±.5005 5.125 ±.5130 5.250 ±.5255 5.375 ±.5380 5.500 ±.5505 5.625 ±.5630 5.750 ±.5755 5.875 ±.5880 6.000 ±.6005 6.125 ±.6130 6.250 ±.6255 6.375 ±.6380 6.500 ±.6505 6.625 ±.6630 6.750 ±.6755 6.875 ±.6880 7.000 ±.7005 7.125 ±.7130 7.250 ±.7255 7.375 ±.7380 7.500 ±.7505 7.625 ±.7630 7.750 ±.7755 7.875 ±.7880 8.000 ±.8005 8.125 ±.8130 8.250 ±.8255 8.375 ±.8380 8.500 ±.8505 8.625 ±.8630 8.750 ±.8755 8.875 ±.8880 9.000 ±.9005 9.125 ±.9130 9.250 ±.9255 9.375 ±.9380 9.500 ±.9505 9.625 ±.9630 9.750 ±.9755 9.875 ±.9880 10.000 ±.10005		THE DRAWING IS THE PROPERTY OF VYNCKIER AND SHALL BE KEPT IN CONFIDENTIALITY. IT IS TO BE USED ONLY FOR THE PURPOSES SPECIFIED HEREIN. ANY REPRODUCTION OR DISTRIBUTION OF THIS DRAWING WITHOUT PERMISSION OF VYNCKIER ENCLOSURE SYSTEMS INC. IS STRICTLY PROHIBITED.
VYNCKIER ENCLOSURE SYSTEMS LTD.	VJ SERIES ENCLOSURE VYNCKIER PART # VJ606HWLL1	
DRAWN: KEVIN HAWMAN CHECKED: [blank] DESIGNED: [blank]	DATE: 02/07/04 REV: 01 REV: 02 REV: 03 REV: 04 REV: 05 REV: 06 REV: 07 REV: 08 REV: 09 REV: 10 REV: 11 REV: 12 REV: 13 REV: 14 REV: 15 REV: 16 REV: 17 REV: 18 REV: 19 REV: 20 REV: 21 REV: 22 REV: 23 REV: 24 REV: 25 REV: 26 REV: 27 REV: 28 REV: 29 REV: 30 REV: 31 REV: 32 REV: 33 REV: 34 REV: 35 REV: 36 REV: 37 REV: 38 REV: 39 REV: 40 REV: 41 REV: 42 REV: 43 REV: 44 REV: 45 REV: 46 REV: 47 REV: 48 REV: 49 REV: 50 REV: 51 REV: 52 REV: 53 REV: 54 REV: 55 REV: 56 REV: 57 REV: 58 REV: 59 REV: 60 REV: 61 REV: 62 REV: 63 REV: 64 REV: 65 REV: 66 REV: 67 REV: 68 REV: 69 REV: 70 REV: 71 REV: 72 REV: 73 REV: 74 REV: 75 REV: 76 REV: 77 REV: 78 REV: 79 REV: 80 REV: 81 REV: 82 REV: 83 REV: 84 REV: 85 REV: 86 REV: 87 REV: 88 REV: 89 REV: 90 REV: 91 REV: 92 REV: 93 REV: 94 REV: 95 REV: 96 REV: 97 REV: 98 REV: 99 REV: 100	
304 FULL SHEET	VJ606HWLL1	