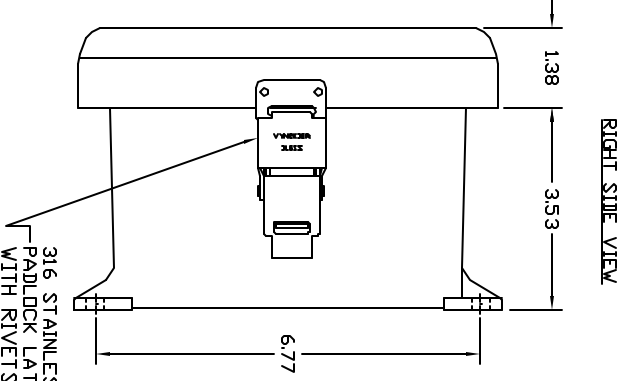
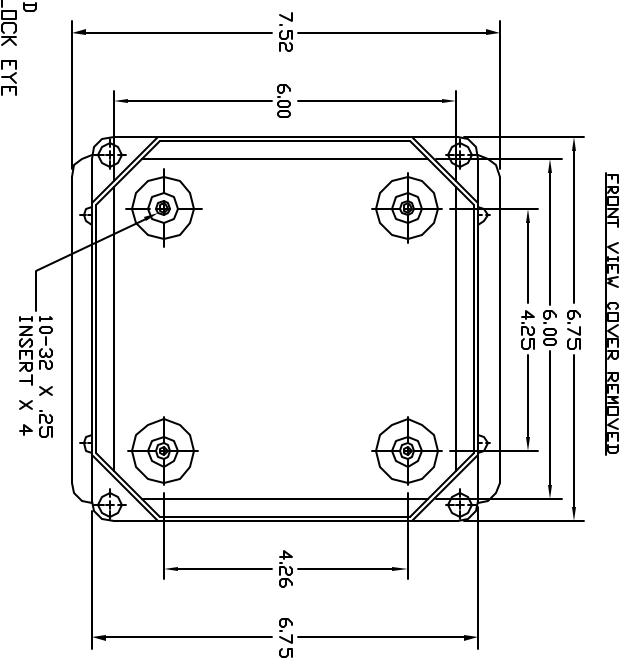


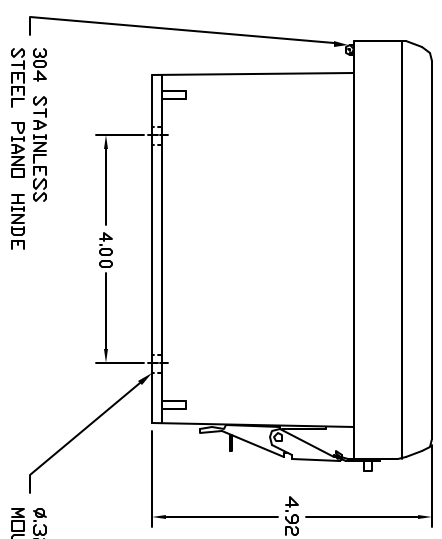
FRONT VIEW



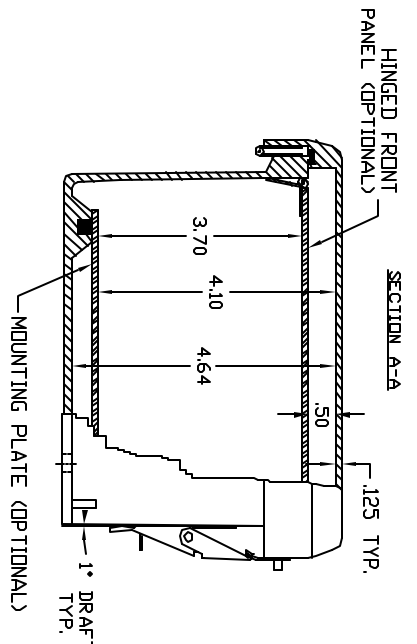
RIGHT SIDE VIEW



FRONT VIEW COVER REMOVED



END VIEW



HINGED FRONT PANEL (OPTIONAL)
SECTION A-A

304 STAINLESS STEEL PLAND HINDE

Ø.32 WALL MOUNTING HOLE X 4

TED DUNN & THE COMPANY, INC.
MANUFACTURER OF WINDERS
AND RELATED SYSTEMS AND SHALL BE
RESPECTFULLY ADVISED THAT THE
DESIGN OF THIS UNIT IS THE PROPERTY OF
WINDERS BROTHERS STEEL INC.

UNLESS OTHERWISE SPECIFIED, DIMENSIONS ARE IN INCHES		VYNCKER ENCLOSURE SYSTEMS LTD.	
DESIGNED BY	DATE	REV	REV
KEVIN HAWMAN	2/29/04	B	REV 1
VJ SERIES ENCLOSURE		VJ606HWPL1	
WINDERS BROTHERS STEEL INC.		VJ606HWPL1	
QUANTITY	DESCRIPTION	SIZE	REVISION
1	ENCLOSURE	304	1

- NOTES:
- ENCLOSURE MATERIAL MADE OF GRAY (RAL 7036) HOT NOLDED FIBERGLASS REINFORCED POLYESTER.
 - UL LISTED PER STD. 508. (FILE# E34313)
 - CSA CERTIFIED PER STD. C22.2 NO. 94. (FILE# LR36508)
 - NEMA RATED TYPE 3, 3R, 3S, 4, 4X, 12 AND 13.
 - IEC 529 RATED IP 66.
 - TEMPERATURE RANGES FROM -50 DEG C TO 150 DEG C.
 - SELF EXTINGUISHING AND HALOGEN FREE.
 - ACCESSORIES INCLUDE: BACK PANELS, BEAD FRONT PANELS, HINGED FRONT PLATES, HINGED COVERS, PRINT POCKETS, LATCHES, WINDOWS, AND VENTILATORS.
 - CABINETS ARE MAINTENANCE FREE AND CORROSION RESISTANT.