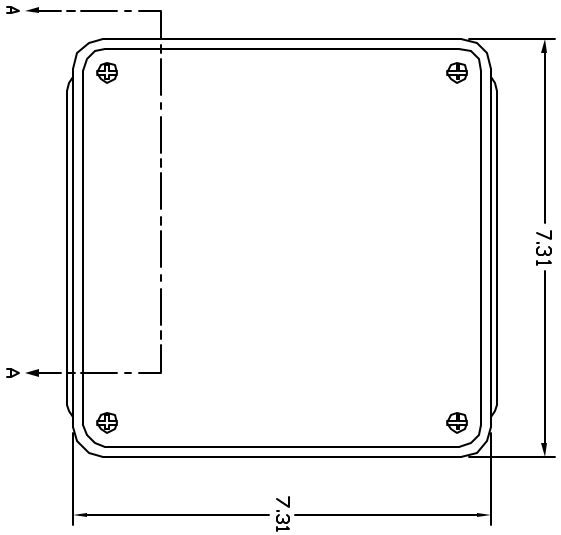
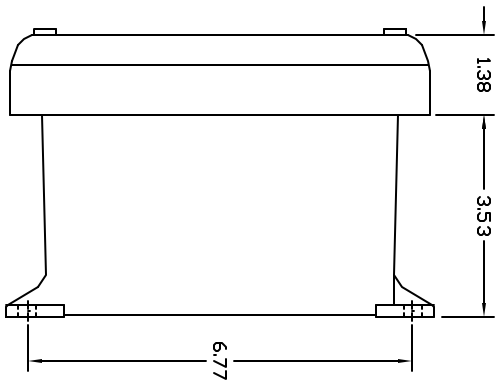


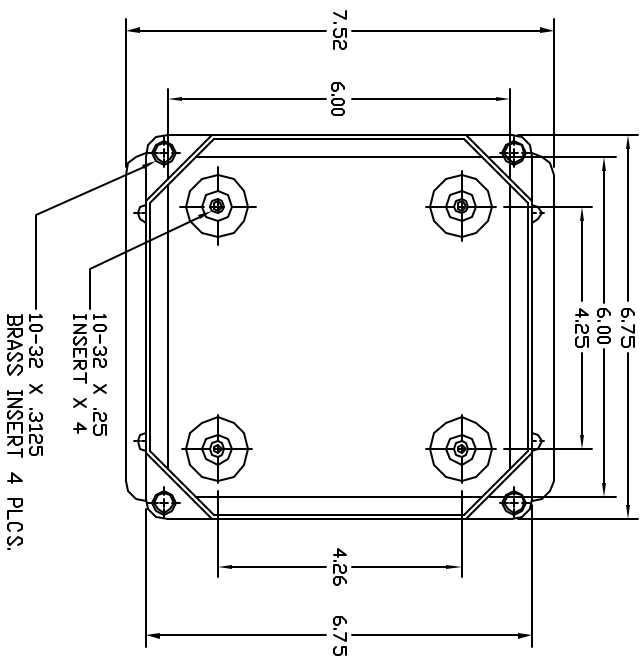
FRONT VIEW



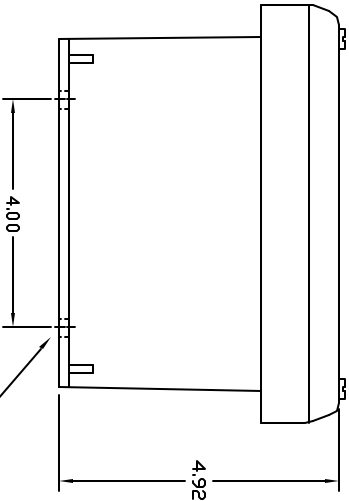
RIGHT SIDE VIEW



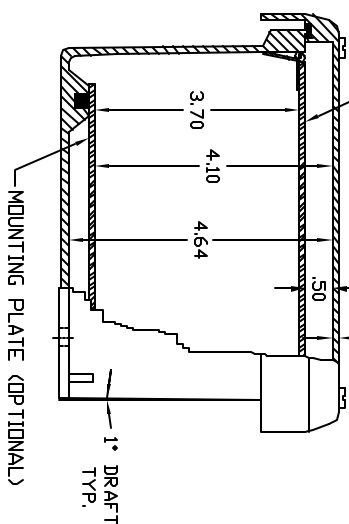
FRONT VIEW, COVER REMOVED



END VIEW



HINGED FRONT PANEL (OPTIONAL)  
SECTION A-A



- NOTES:**
1. ENCLOSURE MATERIAL MADE OF GRAY (RAL 7036) HOT MOLDED FIBERGLASS REINFORCED POLYESTER.
  2. U.L. LISTED PER STD. 508. (FILE# E34313)
  3. CSA CERTIFIED PER STD. C22.2 NO. 94. (FILE# LR36508)
  4. NEMA RATED TYPE 3, 3R, 3S, 4, 4X, 12 AND 13.
  5. IEC 529 RATED IP 66.
  6. TEMPERATURE RANGES FROM -50 DEG C TO 150 DEG C.
  7. SELF EXTINGUISHING AND HALOGEN FREE.
  8. ACCESSORIES INCLUDE: BACK PANELS, DEAD FRONT PANELS, HINGED FRONT PLATES, HINGED COVERS, PRINT POCKETS, LATCHES, WINDOWS, AND VENTILATORS.
  9. CABINETS ARE MAINTENANCE FREE AND CORROSION RESISTANT.

THE DRAWING IS THE PROPERTY OF VYNCKIER AND SHALL BE KEPT IN CONFIDENTIALITY. IT IS TO BE USED ONLY FOR THE PROJECT AND SHALL NOT BE REPRODUCED OR TRANSMITTED IN ANY FORM OR BY ANY MEANS, ELECTRONIC OR MECHANICAL, INCLUDING PHOTOCOPYING, RECORDING, OR BY ANY INFORMATION STORAGE AND RETRIEVAL SYSTEM.	
VYNCKIER ENCLCSURE SYSTEMS LTD. VJ SERIES ENCLCSURE VYNCKIER PART# VJ606W	DATE: 02/07/04 DRAWN BY: KEVIN SHAWHAN CHECKED BY: [blank] DESIGNED BY: [blank]
SCALE: FULL SHEET: 1 OF 1	REV: VJ606W