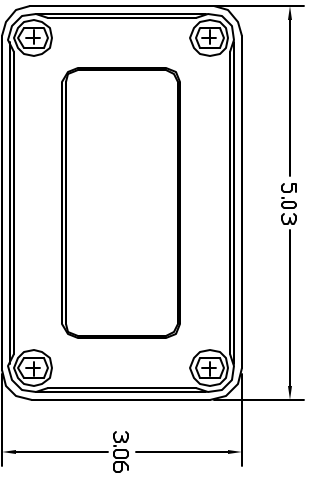
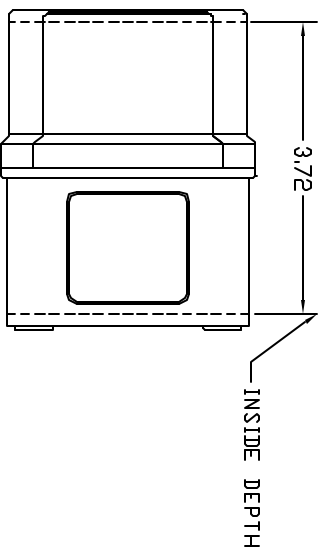


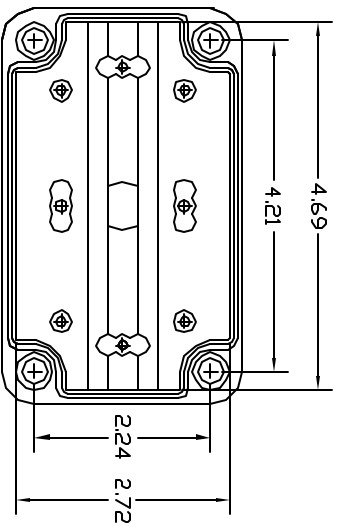
FRONT VIEW



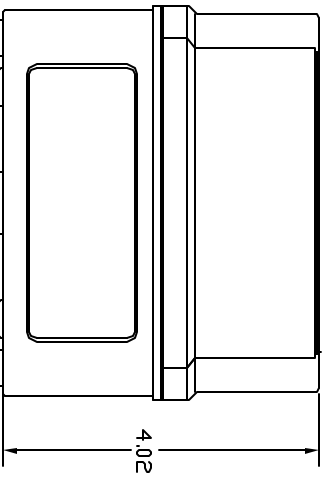
RIGHT SIDE VIEW



FRONT VIEW COVER REMOVED



END VIEW



VYNGKIER RELEASE SYSTEM, INC.		DRAWN BY: [] CHECKED BY: [] DATE: []
VM SERIES ENCLOSURE		SCALE: []
PART NO. []		REV. []
MANUFACTURED IN THE U.S.A.		QUANTITY []
THIS DRAWING IS THE PROPERTY OF VYNGKIER SYSTEMS, INC. IT IS TO BE USED FOR THE PROJECT AND QUANTITY SPECIFIED ONLY. IT IS NOT TO BE REPRODUCED OR COPIED IN ANY MANNER WITHOUT THE WRITTEN PERMISSION OF VYNGKIER SYSTEMS, INC.		DRAWN BY: [] CHECKED BY: [] DATE: []