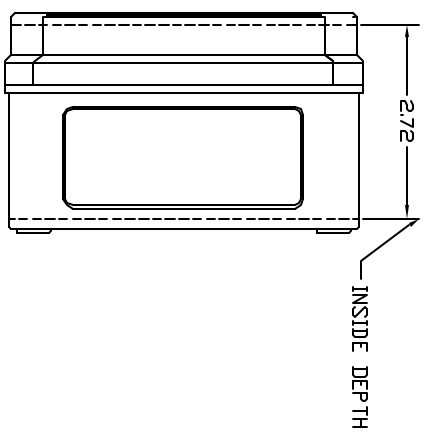
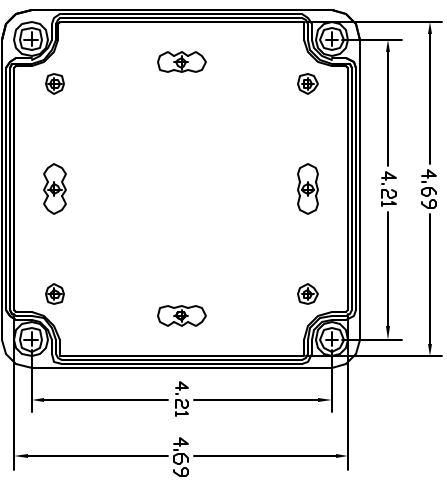


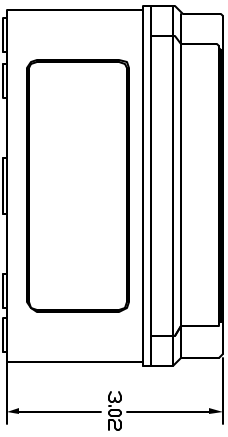
FRONT VIEW



RIGHT SIDE VIEW



FRONT VIEW COVER REMOVED



END VIEW

THIS DRAWING IS THE PROPERTY OF VYNCKLEER INC. IT IS TO BE USED ONLY FOR THE PROJECT AND SITE SPECIFICALLY IDENTIFIED HEREON. IT IS NOT TO BE REPRODUCED, COPIED, OR TRANSMITTED IN ANY FORM OR BY ANY MEANS, ELECTRONIC OR MECHANICAL, INCLUDING PHOTOCOPYING, RECORDING, OR BY ANY INFORMATION STORAGE AND RETRIEVAL SYSTEM, WITHOUT THE WRITTEN PERMISSION OF VYNCKLEER INC.		VYNCKLEER INC. 10000 W. 15th Ave. Denver, CO 80202	
VYNCKLEER INC. 10000 W. 15th Ave. Denver, CO 80202		VYNCKLEER INC. 10000 W. 15th Ave. Denver, CO 80202	
VYNCKLEER INC. 10000 W. 15th Ave. Denver, CO 80202		VYNCKLEER INC. 10000 W. 15th Ave. Denver, CO 80202	

VYNCKLEER INCLOSURE SYSTEMS, INC.		VYNCKLEER VM SERIES ENCLOSURE	
DRAWN BY: [] CHECKED BY: [] DATE: []	DATE: [] SCALE: [] SHEET NO.: []	DATE: [] SCALE: [] SHEET NO.: []	DATE: [] SCALE: [] SHEET NO.: []