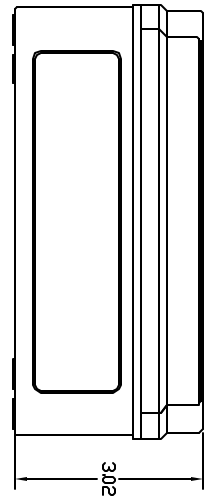
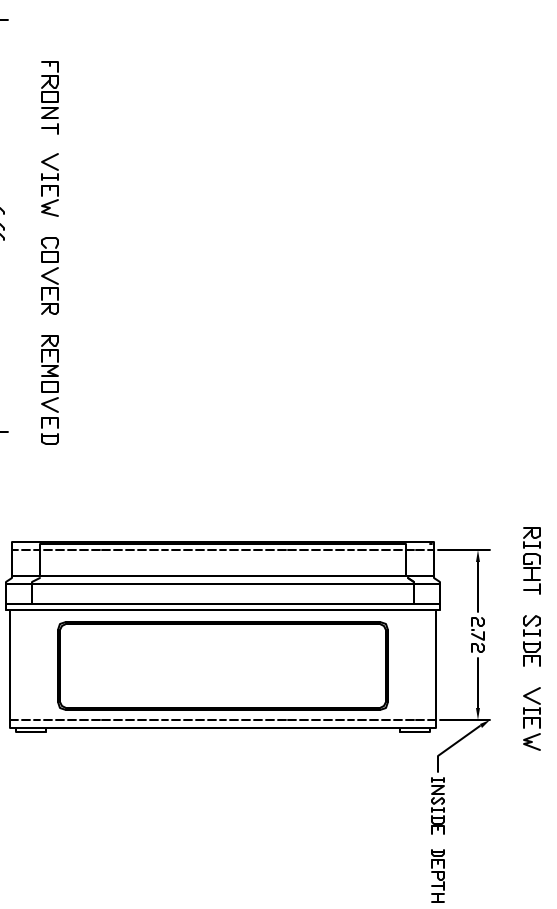


FRONT VIEW

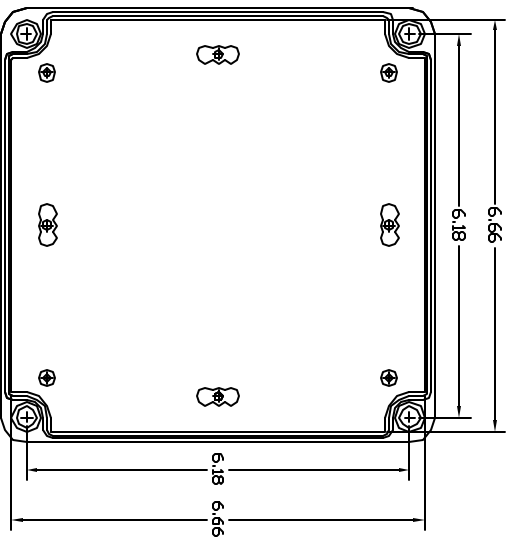
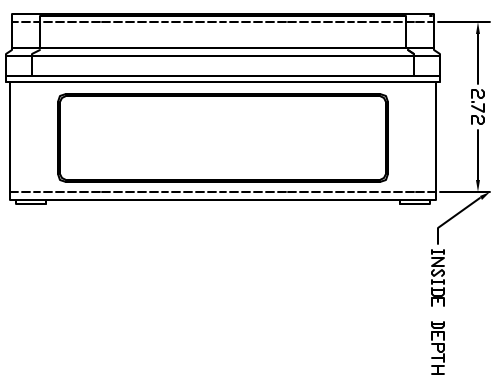


END VIEW



FRONT VIEW COVER REMOVED

RIGHT SIDE VIEW



<p>DESIGNER: J. H. HARRIS          DRAWN BY: J. H. HARRIS          CHECKED BY: J. H. HARRIS          DATE: 10/1/77</p>		<p>DATE: 10/1/77          TIME: 10:00 AM          DRAWN BY: J. H. HARRIS          CHECKED BY: J. H. HARRIS          DATE: 10/1/77</p>		<p>DESIGNER: J. H. HARRIS          DRAWN BY: J. H. HARRIS          CHECKED BY: J. H. HARRIS          DATE: 10/1/77</p>	
<p>UNIVERSITY MICROFILMS          SERIALS ACQUISITION          300 N. ZEEB RD.          ANN ARBOR, MI 48106</p>		<p>UNIVERSITY MICROFILMS          SERIALS ACQUISITION          300 N. ZEEB RD.          ANN ARBOR, MI 48106</p>		<p>UNIVERSITY MICROFILMS          SERIALS ACQUISITION          300 N. ZEEB RD.          ANN ARBOR, MI 48106</p>	

**VYNGKLEER**  
 POLYMER SYSTEMS, INC.

VM SERIES ENCLOSURE